

PF7053

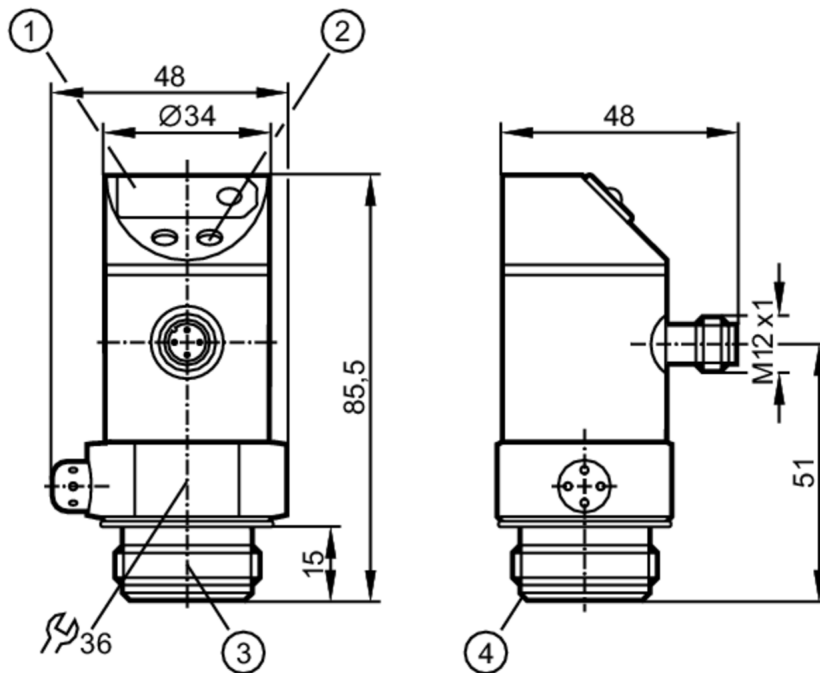


Flush pressure sensor

PF-025-RES30-QFPKG/US/ IP

Article no longer available - archive entry

Alternative article: PF2053 When selecting an alternative article and accessories please note that technical data may differ! – When selecting an alternative article and accessories please note that technical data may differ!



- 1 7-segment LED display
- 2 programming button
- 3 Aseptoflex thread
- 4 Aseptoflex sealing edge



Application	
Application	hygienic systems
Installation	freely rotatable housing 350°
Media	viscous media and liquids with suspended particles; liquids and gases
Medium temperature [°C]	-25...80
Pressure rating [bar]	100
Min. bursting pressure [bar]	350
Type of pressure	relative pressure
No dead space	yes
Electrical data	
Operating voltage [V]	18...30 DC
Current consumption [mA]	< 60
Min. insulation resistance [MΩ]	100; (500 V DC)
Protection class	III
Reverse polarity protection	yes
Power-on delay time [s]	0.2
Integrated watchdog	yes



Flush pressure sensor

PF-025-RES30-QFPKG/US/ IP

Inputs / outputs																					
Number of inputs and outputs	Number of digital outputs: 2																				
Outputs																					
Total number of outputs	2																				
Output signal	switching signal																				
Electrical design	PNP																				
Number of digital outputs	2																				
Output function	normally open / normally closed; (parameterisable)																				
Max. voltage drop switching output DC [V]	2																				
Permanent current rating of switching output DC [mA]	250																				
Short-circuit protection	yes																				
Type of short-circuit protection	pulsed																				
Overload protection	yes																				
Measuring/setting range																					
Measuring range [bar]	0...25																				
Set point SP [bar]	0.02...25																				
Reset point rP [bar]	0.01...24.8																				
In steps of [bar]	0.01																				
Accuracy / deviations																					
Switch point accuracy [% of the final value]	< ± 1,0																				
Repeatability [% of the final value]	< ± 0,25; (with temperature fluctuations < 10 K)																				
Temperature drift per 10 K	< ± 0.3																				
Response times																					
Switching frequency for a given set response time of one output	<table border="1"> <thead> <tr> <th>Ansprechzeit (dAP) [ms]</th> <th>3</th> <th>6</th> <th>10</th> <th>17</th> <th>30</th> <th>60</th> <th>125</th> <th>250</th> <th>500</th> </tr> </thead> <tbody> <tr> <td>Schaltfrequenz [Hz]</td> <td>170</td> <td>80</td> <td>50</td> <td>30</td> <td>16</td> <td>8</td> <td>4</td> <td>2</td> <td>1</td> </tr> </tbody> </table>	Ansprechzeit (dAP) [ms]	3	6	10	17	30	60	125	250	500	Schaltfrequenz [Hz]	170	80	50	30	16	8	4	2	1
	Ansprechzeit (dAP) [ms]	3	6	10	17	30	60	125	250	500											
Schaltfrequenz [Hz]	170	80	50	30	16	8	4	2	1												
Response time [ms]	at rectangular pressure characteristic; switch point (SPx) = 70 %; reset point (rPx) = 30 %																				
Delay time programmable dS, dr [s]	0, 0,2,...10, 11,...50																				
Software / programming																					
Adjustment of the switch point	programming button																				
Parameter setting options	hysteresis / window; normally open / normally closed; switch-on/switch-off delay; Damping																				
Operating conditions																					
Ambient temperature [°C]	-25...80																				
Storage temperature [°C]	-40...100																				
Protection	IP 67																				

PF7053



Flush pressure sensor

PF-025-RES30-QFPKG/US/ IP

Tests / approvals

EMC	EN 61000-4-2 ESD	4 kV CD / 8 kV AD
	EN 61000-4-3 HF radiated	10 V/m
	EN 61000-4-4 Burst	2 kV
	EN 61000-4-6 HF conducted	10 V
Shock resistance	DIN IEC 68-2-27	50 g (11 ms)
Vibration resistance	DIN IEC 68-2-6	20 g (10...2000 Hz)

Mechanical data

Materials	stainless steel (1.4404 / 316L); PBT; PC; EPDM/X; FKM; PA
Materials (wetted parts)	stainless steel (1.4404 / 316L); ceramics; PTFE
Min. pressure cycles	100 million
Process connection	threaded connection Aseptoflex external thread Aseptoflex

Displays / operating elements

Display	switching status	2 x LED, red
	function display	7-segment LED display
	measured values	7-segment LED display

Remarks

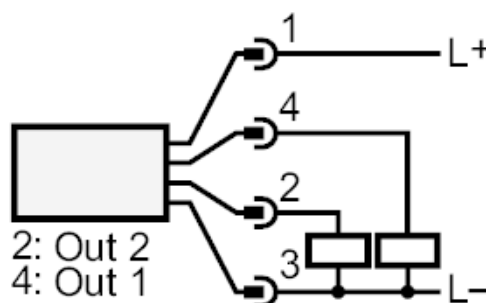
Pack quantity	1 pcs.
---------------	--------

Electrical connection

Connector: 1 x M12; Contacts: gold-plated



Connection



Article no longer available - archive entry

Alternative article: PF2053 When selecting an alternative article and accessories please note that technical data may differ! – When selecting an alternative article and accessories please note that technical data may differ!