

OW0001

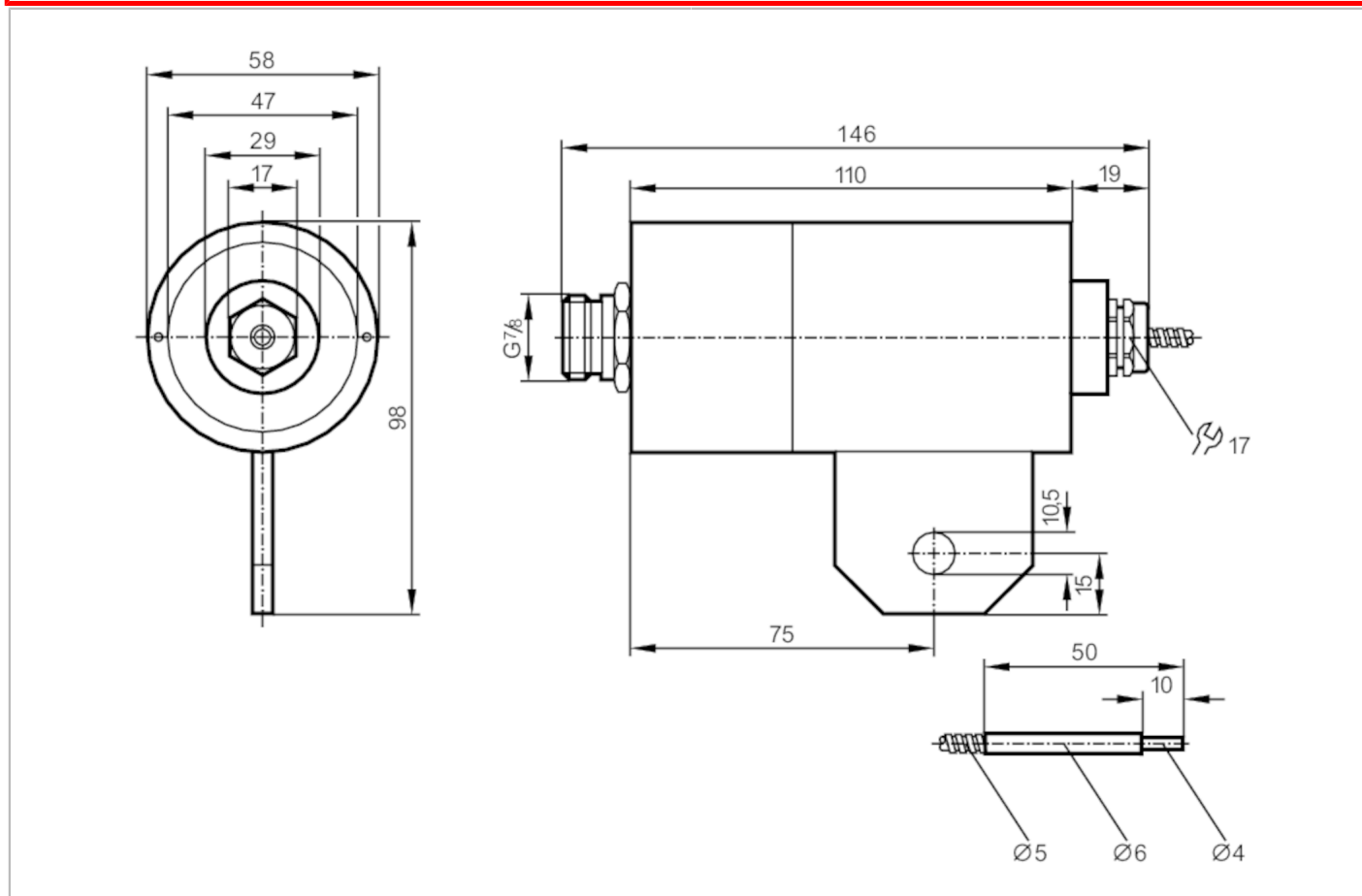


Infrared temperature sensor

OWF-5000-ABOA

Article no longer available - archive entry

replaced by: TW7011 + E35061 + E35065



Product characteristics

Housing		cylindrical
Dimensions	[mm]	Ø 58 / L = 129

Electrical data

Operating voltage	[V]	20...250 AC/DC
Reverse polarity protection		no

OW0001



Infrared temperature sensor

OWF-5000-ABOA

Outputs		
Max. voltage drop switching output DC	[V]	10.5
Max. voltage drop switching output AC	[V]	10.5
Minimum load current	[mA]	15
Max. leakage current	[mA]	7
Permanent current rating of switching output AC	[mA]	200; (250 (...50 °C))
Permanent current rating of switching output DC	[mA]	50
Short-time current rating of switching output	[mA]	1500; (10 ms / 0,5 Hz)
Switching frequency AC	[Hz]	20
Switching frequency DC	[Hz]	25
Short-circuit proof		no
Overload protection		no
Detection zone		
Detection range hysteresis	[%]	1...15
Operating conditions		
Ambient temperature	[°C]	-20...60
Protection		IP 65
Tests / approvals		
EMC	EN 60947-5-2	class B
	EN 55011	
MTTF	[years]	609
Mechanical data		
Housing		cylindrical
Dimensions	[mm]	Ø 58 / L = 129
Materials		brass white bronze coated
Lens material		glass
Displays / operating elements		
Display	switching status	1 x LED, yellow
Accessories		
Accessories (supplied)		Fibre optics with aluminium sheathing
Remarks		
Remarks		Recommendation: Check the safe functioning of the unit after a short circuit.
Pack quantity		1 pcs.
Electrical connection		
Connector: 1 x 7/8"		

OW0001

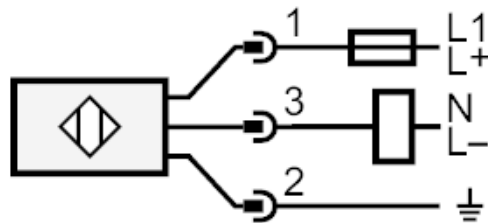


Infrared temperature sensor

OWF-5000-ABOA



Connection



Note : miniature fuse to IEC60127-2 sheet 1 \leq 2 A fast acting

Article no longer available - archive entry

replaced by: TW7011 + E35061 + E35065