

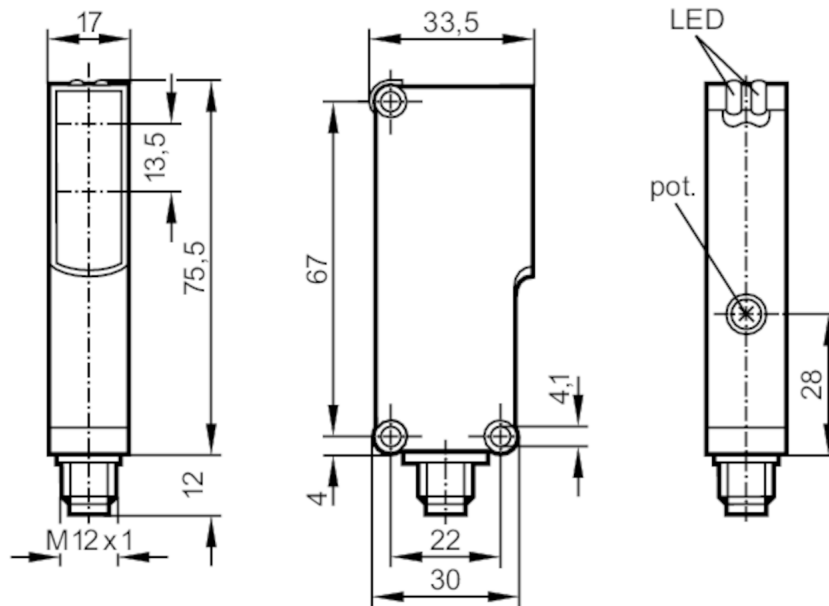


Diffuse reflection sensor with background suppression

OTH-CPKG/US

Article no longer available - archive entry

Alternative article: O5H500 When selecting an alternative article and accessories please note that technical data may differ! – When selecting an alternative article and accessories please note that technical data may differ!



receiver in lower lens
transmitter in upper lens

Product characteristics

Type of light	red light
Housing	rectangular
Dimensions [mm]	75.5 x 17 x 33.5

Application

Special feature	Background suppression
Function principle	Diffuse reflection sensor

Electrical data

Operating voltage [V]	10...30 DC
Current consumption [mA]	< 40
Protection class	II
Reverse polarity protection	yes
Type of light	red light
Wave length [nm]	660

OT5215



Diffuse reflection sensor with background suppression

OTH-CPKG/US

Outputs		
Electrical design		PNP
Output function		complementary
Max. voltage drop switching output DC	[V]	2.9
Permanent current rating of switching output DC	[mA]	100
Switching frequency DC	[Hz]	700
Short-circuit protection		yes
Type of short-circuit protection		pulsed
Overload protection		yes
Detection zone		
Range	[mm]	50...600; (white paper 200 x 200 mm 90% remission)
Range adjustable		yes
Max. light spot diameter	[mm]	30
Light spot dimensions refer to		at maximum range
Background suppression available		yes
Operating conditions		
Ambient temperature	[°C]	-40...60
Protection		IP 67
Tests / approvals		
EMC	EN 60947-5-2	
	EN 55011	class B
Mechanical data		
Housing		rectangular
Dimensions	[mm]	75.5 x 17 x 33.5
Materials		ABS
Lens material		PMMA
Displays / operating elements		
Display	switching status	1 x LED, yellow
	operation	1 x LED, green
Accessories		
Accessories (supplied)		Angle bracket: 1 x, E20461 screwdrivers
Remarks		
Pack quantity		1 pcs.
Electrical connection		
Connector: 1 x M12		

OT5215

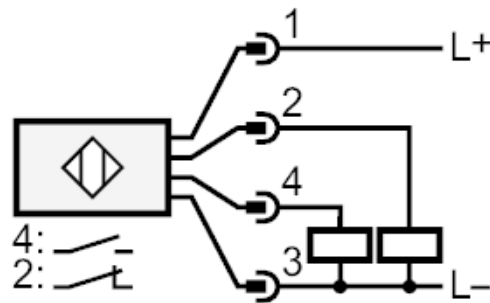


Diffuse reflection sensor with background suppression

OTH-CPKG/US



Connection



Article no longer available - archive entry

Alternative article: O5H500 When selecting an alternative article and accessories please note that technical data may differ! – When selecting an alternative article and accessories please note that technical data may differ!