

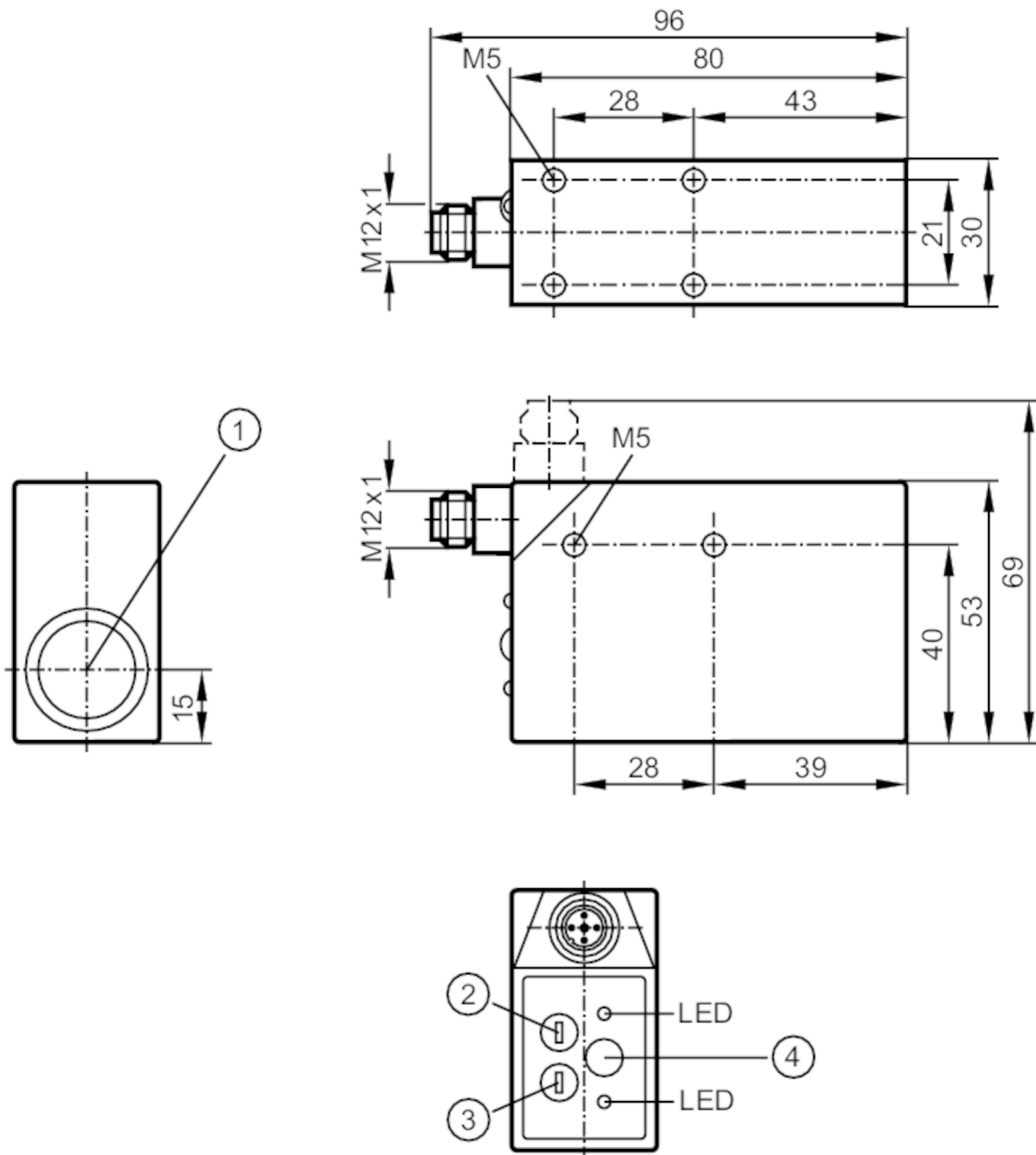
# OD5011

## Colour sensor

ODC-MPKG/US-100



Article no longer available - archive entry



- 1 Objektiv
- 2 Wahlschalter Farbtoleranz
- 3 Programmwahlschalter
- 4 Teach-Taste

### Product characteristics

Type of light	red light; green light; blue light
Housing	rectangular
Dimensions [mm]	53 x 30 x 80

### Application

Application	colour recognition ; retro-reflective operation; diffuse reflection operation
-------------	-------------------------------------------------------------------------------

# OD5011



## Colour sensor

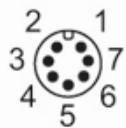
ODC-MPKG/US-100

Electrical data		
Operating voltage	[V]	12...30 DC
Max. residual ripple	[Vss]	5
Current consumption	[mA]	80
Protection class		II
Type of light		red light; green light; blue light
Typ. lifetime	[h]	100000
Reference temperature for service life	[°C]	25
Outputs		
Electrical design		PNP
Max. voltage drop switching output DC	[V]	2
Permanent current rating of switching output DC	[mA]	100
Switching frequency DC	[Hz]	300
Detection zone		
Range	[m]	0.25...1; (retro-reflective operation)
Range	[mm]	< 60; (diffuse reflection operation ± 9)
Max. light spot diameter	[mm]	13
Light spot dimensions refer to		Range
Response times		
Response time	[s]	< 2.5
Operating conditions		
Ambient temperature	[°C]	-10...55
Protection		IP 67
Max. immunity to extraneous light	[klx]	20
Tests / approvals		
EMC		EN 60947-5-2
Mechanical data		
Housing		rectangular
Dimensions	[mm]	53 x 30 x 80
Materials		diecast zinc
Lens material		glass
Displays / operating elements		
Display	operation	1 x LED, green
	function	1 x LED, yellow
Remarks		
Pack quantity		1 pcs.
Electrical connection		
Connector: 1 x M12		

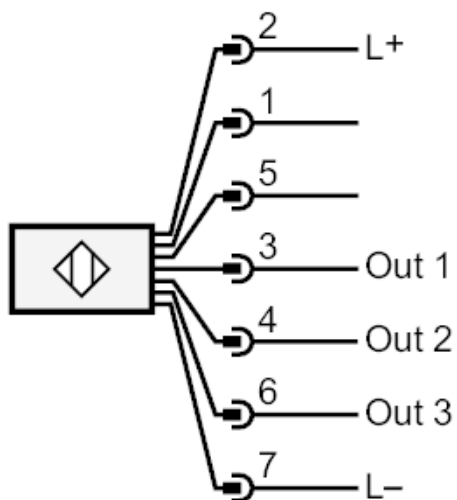
# OD5011

## Colour sensor

ODC-MPKG/US-100



### Connection



- 1 Austasteingang AT
- 5 Eingang "External Teach"

Article no longer available - archive entry