

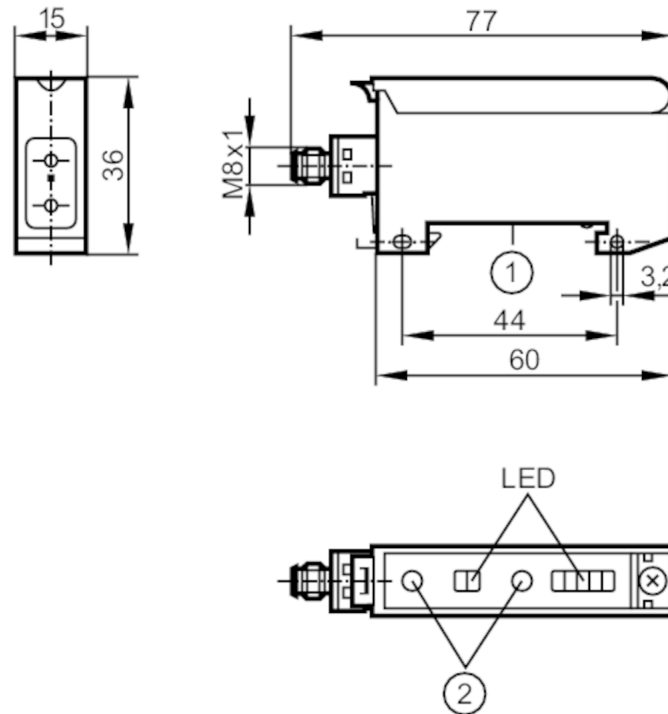


## Fibre-optic amplifier

OBF-FPKG/TIAS

Article no longer available - archive entry

Alternative article: OBF505 When selecting an alternative article and accessories please note that technical data may differ! – When selecting an alternative article and accessories please note that technical data may differ!



- 1 mounting on DIN rail
- 2 setting pushbuttons

### Product characteristics

Type of light	red light
Housing	rectangular
Dimensions [mm]	36 x 15 x 60

### Application

Special feature	Function check output
Design	for fibre optics with metal sheath FE/FT-50

### Electrical data

Operating voltage [V]	10...36 DC
Current consumption [mA]	< 35
Protection class	III
Reverse polarity protection	yes
Type of light	red light
Wave length [nm]	660



## Fibre-optic amplifier

OBF-FPKG/TIAS

Outputs		
Electrical design		PNP
Output function		light-on/dark-on mode; (parameterisable)
Max. voltage drop switching output DC	[V]	2.5
Function check output		yes
Max. voltage drop of function check output	[V]	3.5
Max. current load for function check output	[mA]	10
Permanent current rating of switching output DC	[mA]	100
Switching frequency DC	[Hz]	500
Short-circuit protection		yes
Type of short-circuit protection		pulsed
Overload protection		yes
Time function	[s]	0.002...0.09
Detection zone		
Range	[m]	0...1; (Through-beam sensor)
Range	[mm]	0...150; (Diffuse reflection sensor)
Range adjustable		yes
Operating conditions		
Ambient temperature	[°C]	-25...60
Protection		IP 65
Tests / approvals		
EMC		EN 60947-5-2
		EN 55011
MTTF	[years]	440
		class B
Mechanical data		
Housing		rectangular
Dimensions	[mm]	36 x 15 x 60
Materials		ABS
Lens material		PMMA
Displays / operating elements		
Display	switching status	1 x LED, yellow
	operation	1 x LED, green
	unsafe zone	1 x LED, red
	excess gain	4 x LED, green
Remarks		
Remarks		light-on mode corresponds to the NC output function for through-beam fibre optics corresponds to the NO output function for diffuse-reflection fibre optics dark-on mode corresponds to the NO output function for through-beam fibre optics corresponds to the NC output function for diffuse-reflection fibre optics
Pack quantity		1 pcs.

# OB5028



## Fibre-optic amplifier

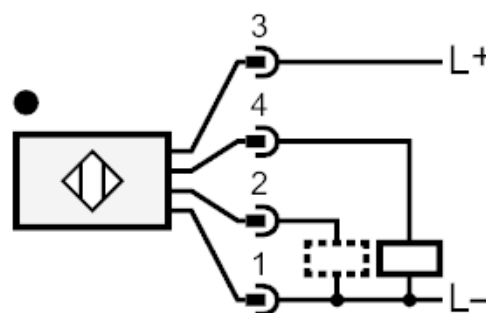
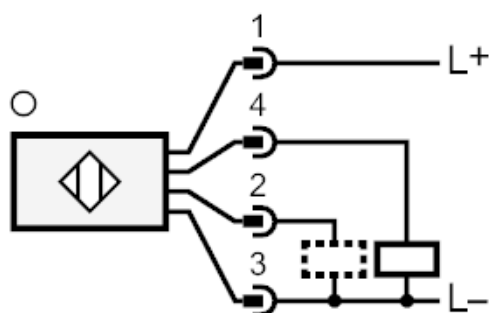
OBF-FPKG/TIAS

### Electrical connection

Connector: 1 x M8



### Connection



2 Function check output

Article no longer available - archive entry

Alternative article: OBF505 When selecting an alternative article and accessories please note that technical data may differ! – When selecting an alternative article and accessories please note that technical data may differ!