

KN5106

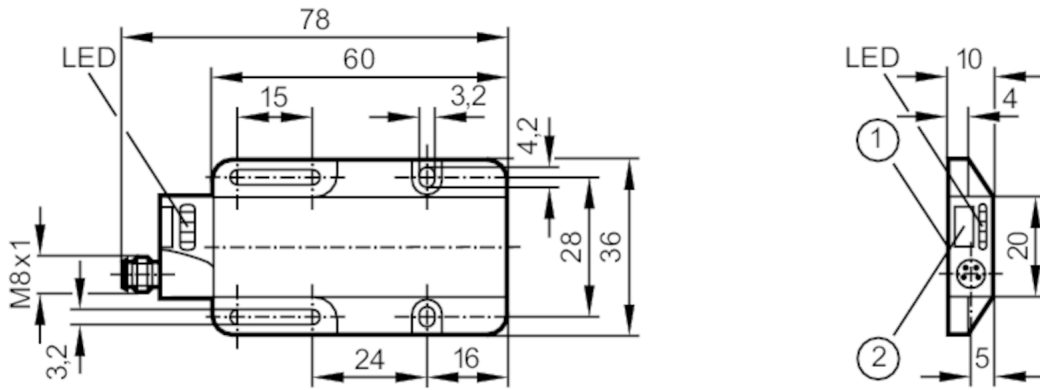


Capacitive sensor

KNQ01NUKFNKG/AS-510-TNF

Article no longer available - archive entry

Alternative article: KQ6003 When selecting an alternative article and accessories please note that technical data may differ! – When selecting an alternative article and accessories please note that technical data may differ!



- 1 Sensing face
- 2 teach-in element



Product characteristics

| | |
|--------------------|---|
| Electrical design | NPN |
| Output function | normally open / normally closed; (selectable) |
| Sensing range [mm] | adjustment to the empty and full state possible |
| Housing | rectangular |
| Dimensions [mm] | 78 x 36 x 10 |

Application

| | |
|-------------------|--|
| Special feature | Gold-plated contacts; Function check output |
| Installation | detection through non-metallic container wall or on bypass pipes |
| Media | dry bulk material; liquids |
| Recommended media | media with a dielectric constant < 20; oils |

Electrical data

| | |
|-----------------------------|------------|
| Operating voltage [V] | 10...36 DC |
| Current consumption [mA] | 30; (24 V) |
| Protection class | II |
| Reverse polarity protection | yes |

KN5106



Capacitive sensor

KNQ01NUKFNKG/AS-510-TNF

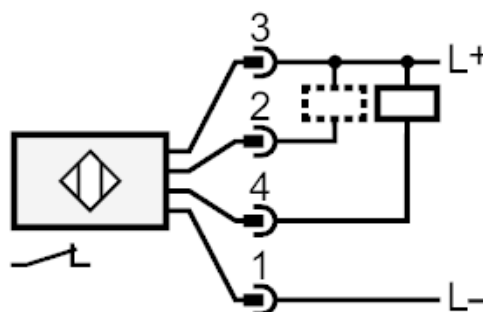
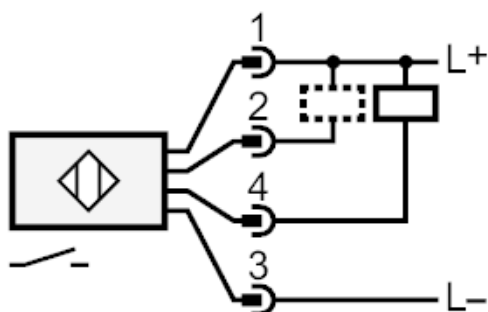
| Outputs | | |
|---|------------------|---|
| Electrical design | | NPN |
| Output function | | normally open / normally closed; (selectable) |
| Max. voltage drop switching output DC | [V] | 2.5 |
| Function check output | | yes |
| Max. voltage drop of function check output | [V] | 3.5 |
| Max. current load for function check output | [mA] | 10 |
| Permanent current rating of switching output DC | [mA] | 150 |
| Switching frequency DC | [Hz] | 5 |
| Short-circuit protection | | yes |
| Type of short-circuit protection | | pulsed |
| Overload protection | | yes |
| Detection zone | | |
| Sensing range | [mm] | adjustment to the empty and full state possible |
| Operating conditions | | |
| Ambient temperature | [°C] | -25...80 |
| Protection | | IP 67 |
| Tests / approvals | | |
| EMC | | EN 60947-5-2 |
| Mechanical data | | |
| Housing | | rectangular |
| Mounting | | non-flush mountable |
| Dimensions | [mm] | 78 x 36 x 10 |
| Materials | | PC; PBT |
| Displays / operating elements | | |
| Display | switching status | 1 x LED, yellow |
| | operation | 1 x LED, green |
| | function | 1 x LED, red |
| Accessories | | |
| Accessories (supplied) | | screwdriver: 1 |
| Remarks | | |
| Pack quantity | | 1 pcs. |
| Electrical connection - plug | | |
| Connector: 1 x M8; Contacts: gold-plated | | |

KN5106



Capacitive sensor

KNQ01NUKFNKG/AS-510-TNF



2: Function check output programming wire

Article no longer available - archive entry

Alternative article: KQ6003 When selecting an alternative article and accessories please note that technical data may differ! – When selecting an alternative article and accessories please note that technical data may differ!