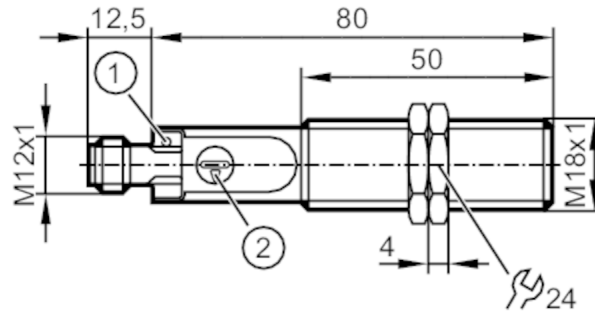


# KG5307



## Capacitive sensor

KG-3150NAPKG/SL/1P/US/IO



- 1 LED yellow switching status
- 2 potentiometer Sensing range



### Product characteristics

|                         |                    |
|-------------------------|--------------------|
| Electrical design       | PNP                |
| Output function         | normally closed    |
| Sensing range [mm]      | 0.5...30           |
| Communication interface | IO-Link            |
| Housing                 | threaded type      |
| Dimensions [mm]         | M18 x 1 / L = 92.5 |

### Application

|                         |           |
|-------------------------|-----------|
| Medium temperature [°C] | -25...110 |
|-------------------------|-----------|

### Electrical data

|                             |            |
|-----------------------------|------------|
| Operating voltage [V]       | 10...30 DC |
| Current consumption [mA]    | < 22       |
| Protection class            | III        |
| Reverse polarity protection | yes        |

### Outputs

|  |                 |
|--|-----------------|
| Electrical design                                    | PNP             |
| Output function                                      | normally closed |
| Max. voltage drop switching output DC [V]            | 2.5             |
| Permanent current rating of switching output DC [mA] | 200             |
| Switching frequency DC [Hz]                          | 30              |
| Short-circuit proof                                  | yes             |
| Overload protection                                  | yes             |

### Detection zone

|                                    |           |
|------------------------------------|-----------|
| Sensing range [mm]                 | 0.5...30  |
| Sensing range adjustable           | yes       |
| Factory setting sensing range [mm] | 15        |
| Real sensing range Sr [mm]         | 15 ± 10 % |

# KG5307



## Capacitive sensor

KG-3150NAPKG/SL/1P/US/IO

| Accuracy / deviations         |                  |   |
|-------------------------------|------------------|---|
| Hysteresis                    | [% of Sr]        | 1...15  |
| Switch point drift            | [% of Sr]        | -15...15  |
| Interfaces                    |                  |   |
| Communication interface       |                  | IO-Link   |
| Transmission type             |                  | COM2 (38,4 kBaud)   |
| IO-Link revision              |                  | 1.1   |
| SDCI standard                 |                  | IEC 61131-9   |
| Profiles                      |                  | Smart Sensor: Process Data Variable; Device Identification                        |
| SIO mode                      |                  | yes   |
| Required master port type     |                  | A   |
| Min. process cycle time       | [ms]             | 20  |
| Operating conditions          |                  |   |
| Ambient temperature           | [°C]             | -25...80  |
| Protection                    |                  | IP 65; IP 67; IP 69K  |
| Tests / approvals             |                  |   |
| EMC                           | EN 61000-4-2     | 8 kV AD / 4 kV CD   |
|                               | EN 61000-4-3     | 10 V/m  |
|                               | EN 61000-4-4     | 2 kV  |
|                               | EN 61000-4-6     | 10 V  |
|                               | EN 55011         | class B   |
| Vibration resistance          | DIN EN 60947-5-2 | 1 mm amplitude, oscillation period 5 min., 30 min. per axis at resonance or 55 Hz |
| Shock resistance              | DIN EN 60947-5-2 | 30 g 6 shocks / 11 ms half-sine (x, y, z)   |
| MTTF                          | [years]          | 1204  |
| UL approval                   | UL Approval no.  | D003  |
| Mechanical data               |                  |   |
| Weight                        | [g]              | 26.2  |
| Housing                       |                  | threaded type   |
| Mounting                      |                  | non-flush mountable   |
| Dimensions                    | [mm]             | M18 x 1 / L = 92.5  |
| Thread designation            |                  | M18 x 1   |
| Materials                     |                  | PBT; PC; POM  |
| Tightening torque             | [Nm]             | 8   |
| Displays / operating elements |                  |   |
| Display                       | switching status | 1 x LED, yellow   |
| Accessories                   |                  |   |
| Accessories (supplied)        |                  | lock nuts: 2  |
| Remarks                       |                  |   |
| Pack quantity                 |                  | 1 pcs.  |
| Electrical connection - plug  |                  |   |
| Connector: 1 x M12            |                  |   |

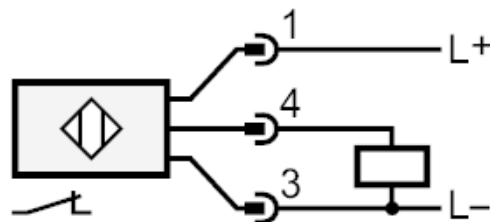
# KG5307

## Capacitive sensor

KG-3150NAPKG/SL/1P/US/IO



### Connection



4: OUT / IO-Link