

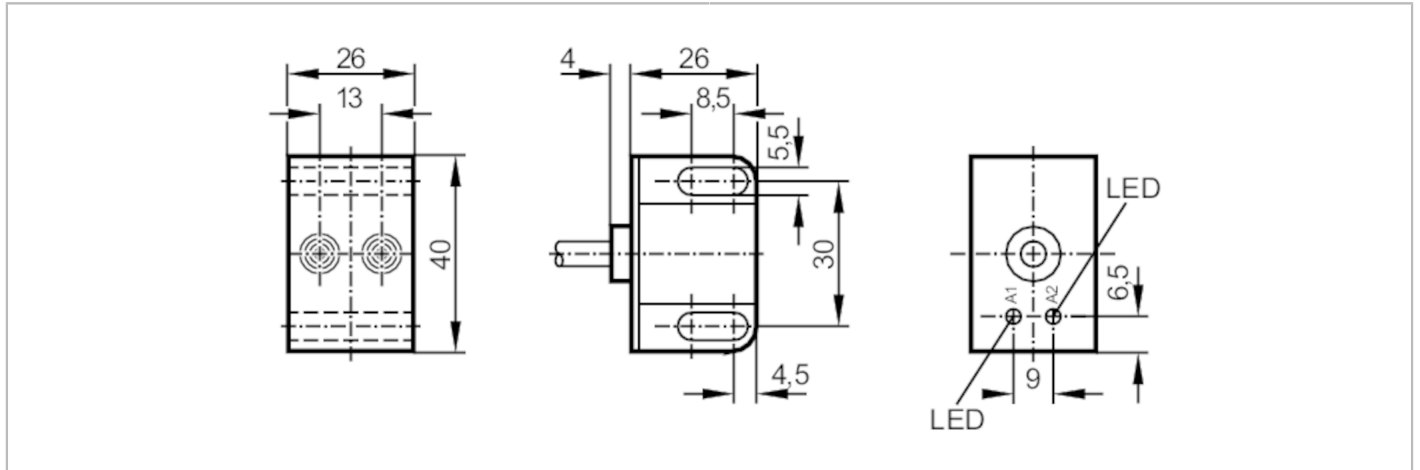
IN0100



Inductive dual sensor for valve actuators

IND2004DAROA

RT



Product characteristics

Output function		2 x normally open
Sensing range	[mm]	4
Housing		rectangular
Dimensions	[mm]	40 x 26 x 26

Electrical data

Frequency AC	[Hz]	47...63
Operating voltage	[V]	20...140 AC / 10...140 DC
Protection class		II
Reverse polarity protection		no

Outputs

Output function		2 x normally open
Max. voltage drop switching output DC	[V]	5
Max. voltage drop switching output AC	[V]	5
Minimum load current	[mA]	5
Max. leakage current	[mA]	0.8
Permanent current rating of switching output AC	[mA]	200
Permanent current rating of switching output DC	[mA]	200
Short-time current rating of switching output	[mA]	900; (20 ms / 0,5 Hz)
Switching frequency AC	[Hz]	25
Switching frequency DC	[Hz]	25
Short-circuit proof		no
Overload protection		no

IN0100



Inductive dual sensor for valve actuators

IND2004DAROA

RT

Detection zone		
Sensing range [mm]	4	
Real sensing range Sr [mm]	4 ± 10 %	
Operating distance [mm]	0...3.25	
Accuracy / deviations		
Correction factor	steel: 1 / stainless steel: 0.7 / brass: 0.5 / aluminium: 0.4 / copper: 0.3	
Hysteresis [% of Sr]	3...15	
Switch point drift [% of Sr]	-10...10	
Operating conditions		
Ambient temperature [°C]	-25...80	
Protection	IP 67	
Tests / approvals		
EMC	EN 60947-5-2	class B
	EN 55011	
MTTF [years]	507	
Mechanical data		
Weight [g]	145.5	
Housing	rectangular	
Mounting	non-flush mountable	
Dimensions [mm]	40 x 26 x 26	
Materials	PBT; PC	
Displays / operating elements		
Display	switching status	2 x LED, red
Electrical connection		
Required protection	miniature fuse to IEC60127-2 sheet 1; ≤ 2 A; fast acting; Place the fuse outside the hazardous area.	
Remarks		
Remarks	Recommendation: Check the safe functioning of the unit after a short circuit.	
Pack quantity	1 pcs.	

IN0100



Inductive dual sensor for valve actuators

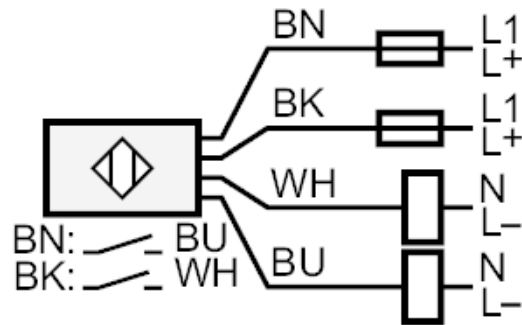
IND2004DAROA

RT

Electrical connection

Cable: 2 m, PVC; 4 x 0.34 mm²

Connection



Note miniature fuse to IEC60127-2 sheet 1 \leq 2 A fast acting

Place the fuse outside the hazardous area.

Core colours :

BK =	black
BN =	brown
BU =	blue
WH =	white