

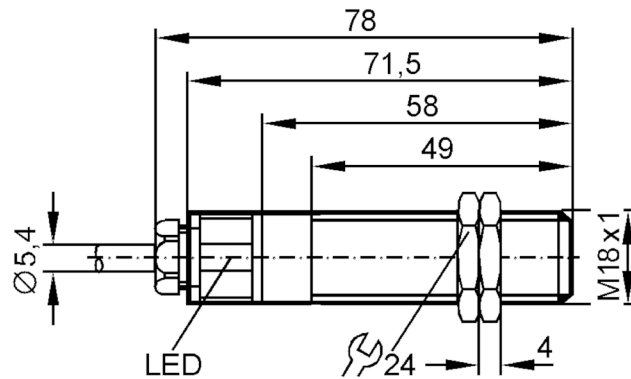
# IG6009



## Inductive sensor

IGK3005-BPKG/V4A/10M

Article no longer available - archive entry



### Product characteristics

Electrical design		PNP
Sensing range	[mm]	5
Housing		threaded type
Dimensions	[mm]	M18 x 1

### Electrical data

Operating voltage	[V]	10...36 DC
Current consumption	[mA]	15; (24 V)
Protection class		II
Reverse polarity protection		yes

### Outputs

Electrical design		PNP
Max. voltage drop switching output DC	[V]	2.5
Permanent current rating of switching output DC	[mA]	250
Switching frequency DC	[Hz]	500
Short-circuit protection		yes
Type of short-circuit protection		pulsed
Overload protection		yes

# IG6009



## Inductive sensor

IGK3005-BPKG/V4A/10M

Detection zone		
Sensing range	[mm]	5
Sensing range adjustable		no
Real sensing range Sr	[mm]	5 ± 10 %
Operating distance	[mm]	0...4.05
Accuracy / deviations		
Correction factor		steel: 1 / stainless steel: 0.66 / brass: 0.42 / aluminium: 0.37 / copper: 0.3
Hysteresis	[% of Sr]	3...15
Switch point drift	[% of Sr]	-10...10
Operating conditions		
Ambient temperature	[°C]	-25...80
Protection		IP 67
Tests / approvals		
EMC	EN 60947-5-2	
	EN 55011	class B
Mechanical data		
Housing		threaded type
Mounting		flush mountable
Dimensions	[mm]	M18 x 1
Thread designation		M18 x 1
Materials		stainless steel (1.4571/316Ti ); POM; PES
Displays / operating elements		
Display	switching status	1 x LED, yellow
Accessories		
Accessories (supplied)		lock nuts: 2

# IG6009

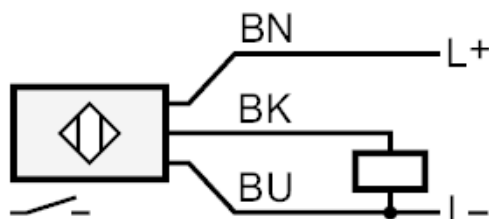


## Inductive sensor

IGK3005-BPKG/V4A/10M

### Electrical connection

#### Connection



#### Core colours

BK	black
BN	brown
BU	blue

Article no longer available - archive entry