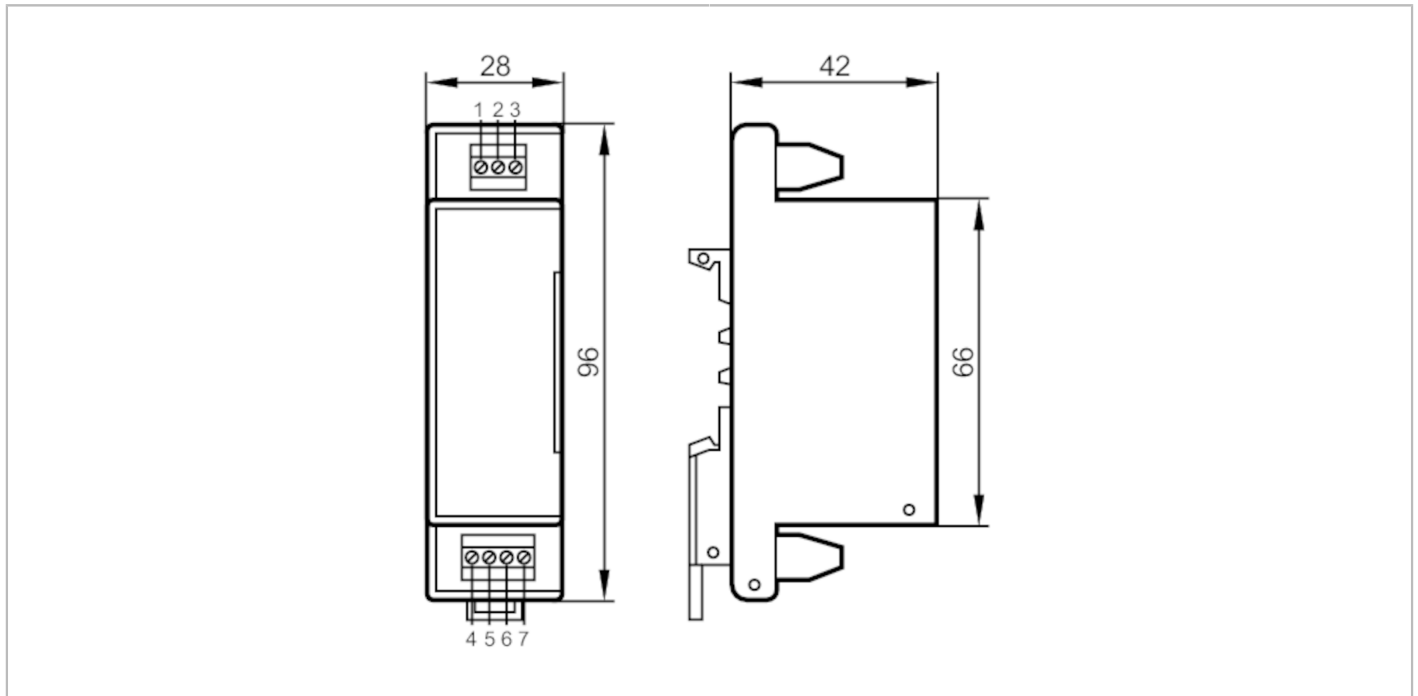


E80100



Pulse divider

PULSE DIVIDER/10:1



Product characteristics		
Dimensions	[mm]	96 x 28 x 42
Application		
Application	adaptation of fast pulse sequences to the setting ranges of the control monitor or slow plc inputs; averaging; Ratio input/output pulse 10:1	
Electrical data		
Operating voltage tolerance	[%]	10
Operating voltage	[V]	24 DC
Current consumption	[mA]	< 13
Operating conditions		
Ambient temperature	[°C]	-20...70
Tests / approvals		
MTTF	[years]	2154
Mechanical data		
Weight	[g]	79.5
Dimensions	[mm]	96 x 28 x 42
Materials		plastics

E80100



Pulse divider

PULSE DIVIDER/10:1

Electrical connection

Connection

