

E70214

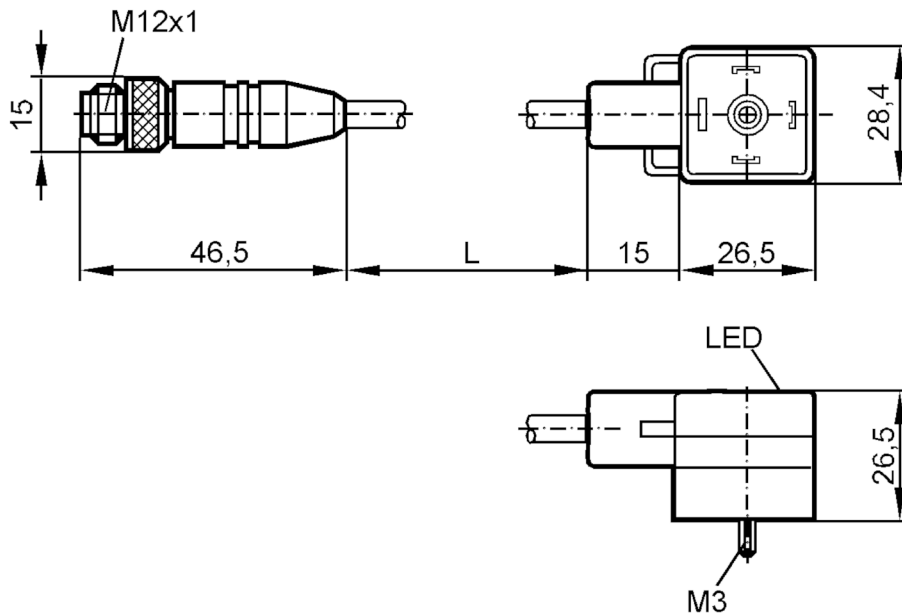


Jumper cable with valve plug

VVDAA041--S0002B03STGH030MSS

Article no longer available - archive entry

replaced by: E11419



Electrical data

Operating voltage	[V]	< 24 AC/DC
Oversvoltage protection		yes; (VDR)

Operating conditions

Ambient temperature	[°C]	-25...90
Protection		IP 67

Mechanical data

Dimensions	[mm]	15 x 15 x 46.5
Materials		TPU
Material nut		brass, nickel-plated / brass, nickel-plated

Accessories

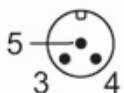
Accessories (supplied)		screw panel for labelling
------------------------	--	------------------------------

Remarks

Pack quantity		1 pcs.
---------------	--	--------

Electrical connection - plug

Connector: 1 x M12, straight; Moulded body: TPU; Locking: brass, nickel-plated



E70214



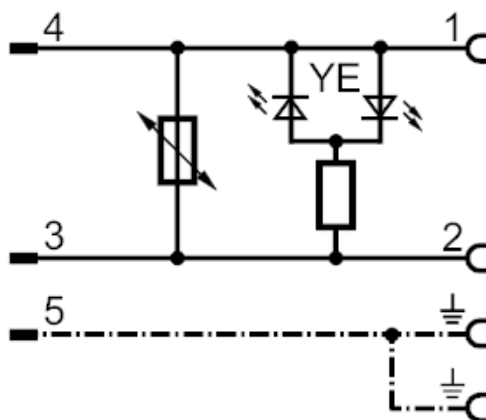
Jumper cable with valve plug

VVDAA041--S0002B03STGH030MSS

Electrical connection

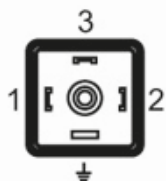
Cable: 2 m, PUR; 3 x 0.5 mm²

Connection



Electrical connection - socket

Connector: 1 x valve type A DIN, angled; Moulded body: TPU; Locking: brass, nickel-plated



Article no longer available - archive entry

replaced by: E11419