

E70063

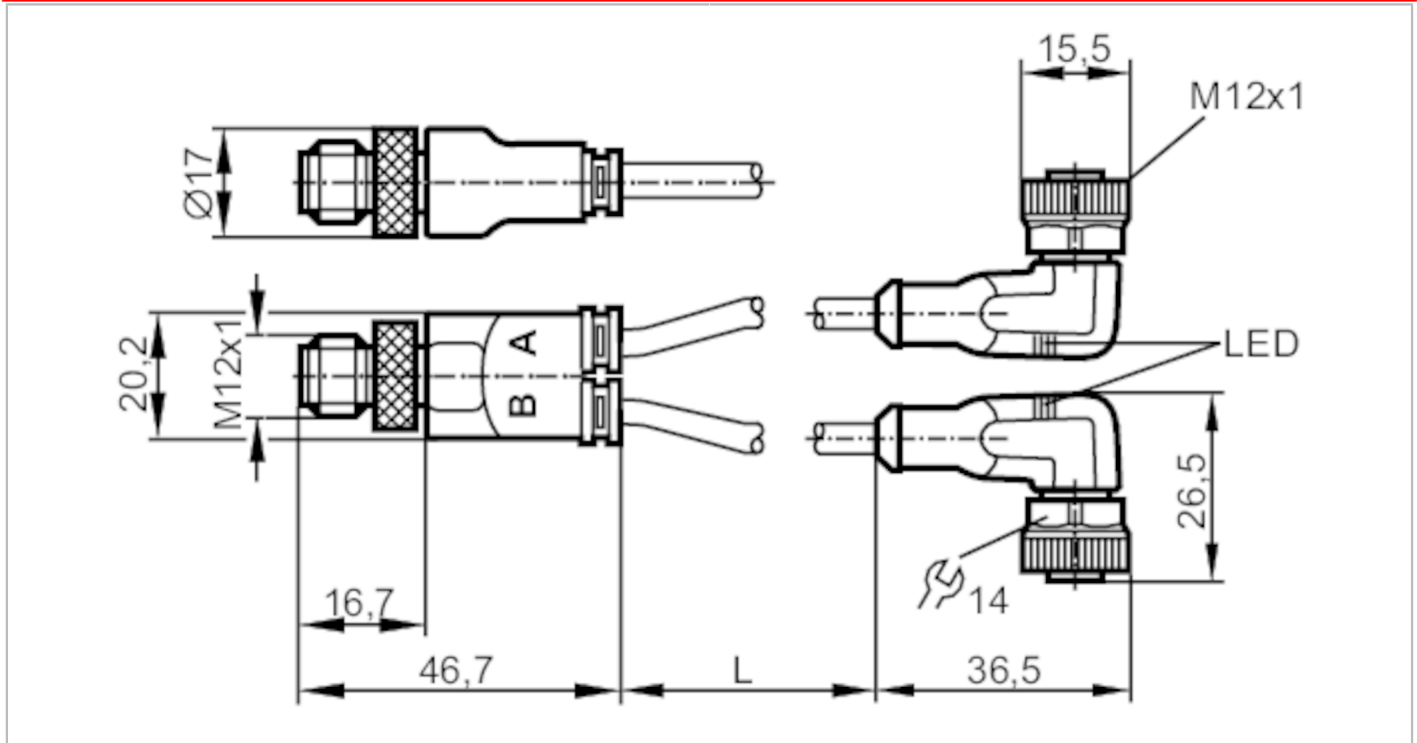


Y connection cable

YDOAH032MSS0001H03STGH040MSS

Article no longer available - archive entry

Alternative article: EVC437 When selecting an alternative article and accessories please note that technical data may differ! – When selecting an alternative article and accessories please note that technical data may differ!



Electrical data		
Operating voltage	[V]	10...30 DC
Max. current load total	[A]	4
Operating conditions		
Ambient temperature	[°C]	-25...90
Protection		IP 67
Mechanical data		
Weight	[g]	0.108
Materials	connector housing: TPU black; socket housing: TPU black transparent; Sealing: FKM	
Material nut	brass, nickel-plated / brass, nickel-plated	
Number of ports splitter box	2	
Displays / operating elements		
Display	switching status	1 x LED, yellow
	operation	1 x LED, green
Remarks		
Pack quantity	1 pcs.	
Electrical connection		
Cable: 1 m, PUR, black, Ø 4.9 mm; 3 x 0.34 mm ² (42 x Ø 0.1 mm)		
Electrical connection - plug		
Connector: 2 x M12; Locking: brass, nickel-plated; Tightening torque: 0.6...1.5 Nm		

E70063

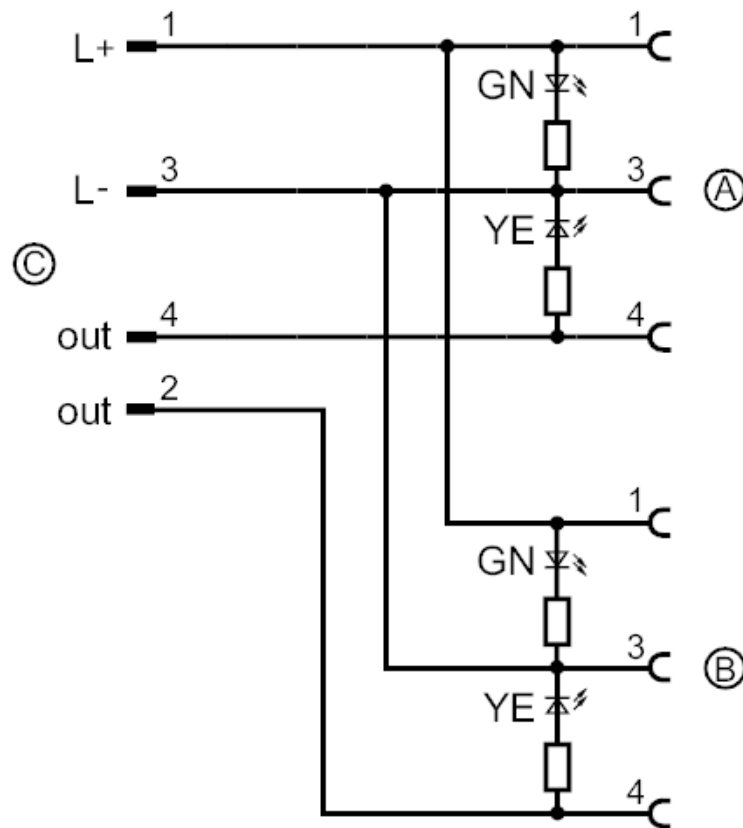


Y connection cable

YDOAH032MSS0001H03STGH040MSS



Connection



Electrical connection - socket

Connector: 2 x M12; Locking: brass, nickel-plated; Tightening torque: 0.6...1.5 Nm



Article no longer available - archive entry

Alternative article: EVC437 When selecting an alternative article and accessories please note that technical data may differ! – When selecting an alternative article and accessories please note that technical data may differ!