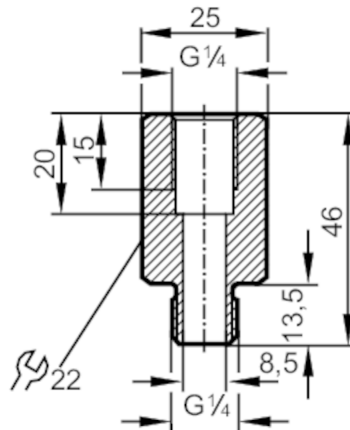


E30107



Screw-in adapter for process sensors

ADAPT TA G1/4 V4A



Application

Pressure rating [bar] 400

Tests / approvals

Pressure Equipment Directive

A possible classification to PED depends on the application and has to be carried out by the user / operator.

Safety instructions

The compatibility between medium and product material has to be checked in all applications.

Mechanical data

Weight [g] 91.3

Materials stainless steel (1.4404 / 316L)

Sensor connection G 1/4

Process connection G 1/4

Remarks

Pack quantity 1 pcs.