

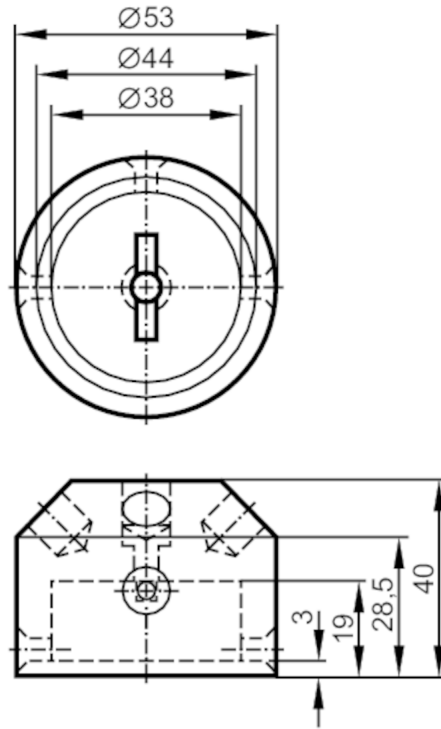


## Target pucks for valve actuators

PUCK/IND/RD/53/8

discontinued article

Alternative article: E12517+ E12526 When selecting an alternative article and accessories please note that technical data may differ!; discontinued article – When selecting an alternative article and accessories please note that technical data may differ! – Discontinuation date: 31.03.2018



### Application

Design

for mechanical interfaces to pneumatic actuators or manually-operated valves VDI / VDE 3845, ISO 5211 / DIN 3337

### Mechanical data

Weight	[g]	44.2
Target puck diameter	[mm]	53
Hole spacing	[mm]	80
Shaft height of valve drive	[mm]	20
Housing colour		red
Number of possible switching flag positions		8
Materials		target puck: PA 6; screws: stainless steel (1.4302)

### Accessories

Accessories (supplied)

socket head screw: 1 x M 6 x 16, with washer  
 countersunk screws: 2 x M 5  
 direction indications: 2, white  
 direction indications: 2, red  
 Cover: 1, white  
 cover plug: 4, red

# E17323



## Target pucks for valve actuators

PUCK/IIND/RD/53/8

Remarks	
Notes	discontinued article
Pack quantity	1 pcs.

discontinued article

Alternative article: E12517+ E12526 When selecting an alternative article and accessories please note that technical data may differ!; discontinued article – When selecting an alternative article and accessories please note that technical data may differ! – Discontinuation date: 31.03.2018