

# E11987

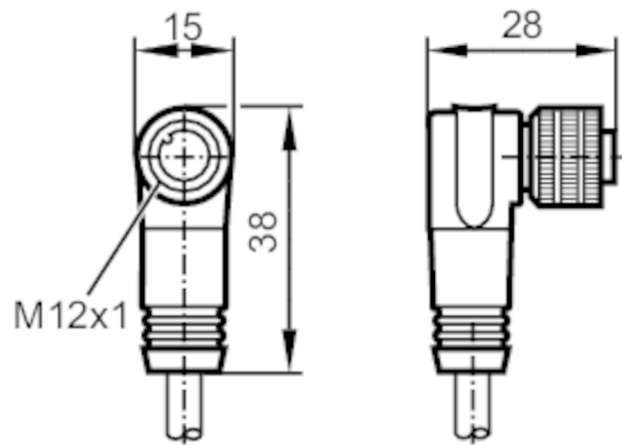


## Connecting cable with socket

ADOAH050MSS0010K05

Article no longer available - archive entry

replaced by: EVC549



### Application

Special feature Free from silicone; Gold-plated contacts; Screened cable

Free from silicone yes

### Electrical data

Operating voltage [V] < 30 AC / < 36 DC

Protection class III

Max. current load total [A] 4

### Operating conditions

Ambient temperature [°C] -25...90

Protection IP 67

### Mechanical data

Weight [g] 433.4

Dimensions [mm] 28 x 15 x 38

Materials PUR

Material nut brass, nickel-plated

### Remarks

Pack quantity 1 pcs.

### Electrical connection

Cable: 10 m, PUR, black, Ø 5 mm, shielded; 5 x 0.25 mm<sup>2</sup> (14 x Ø 0.15 mm )

### Electrical connection - socket

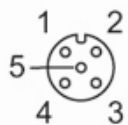
Connector: 1 x M12, angled; Moulded body: PUR; Locking: brass, nickel-plated; Contacts: gold-plated; Tightening torque: 1.0...1.5 Nm; Shielded connection cable: screen connected

# E11987

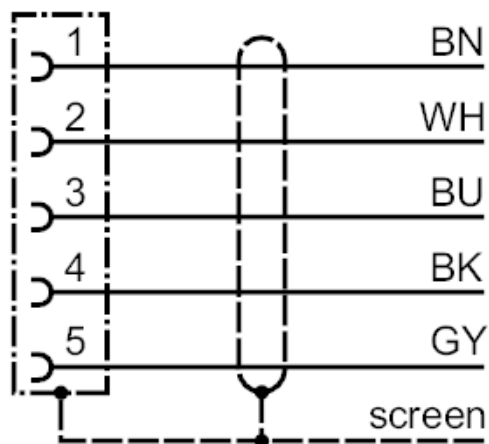


## Connecting cable with socket

ADOAH050MSS0010K05



### Connection



Core colours :

BK =	black
BN =	brown
BU =	blue
GY =	grey
WH =	white

Article no longer available - archive entry

replaced by: EVC549