

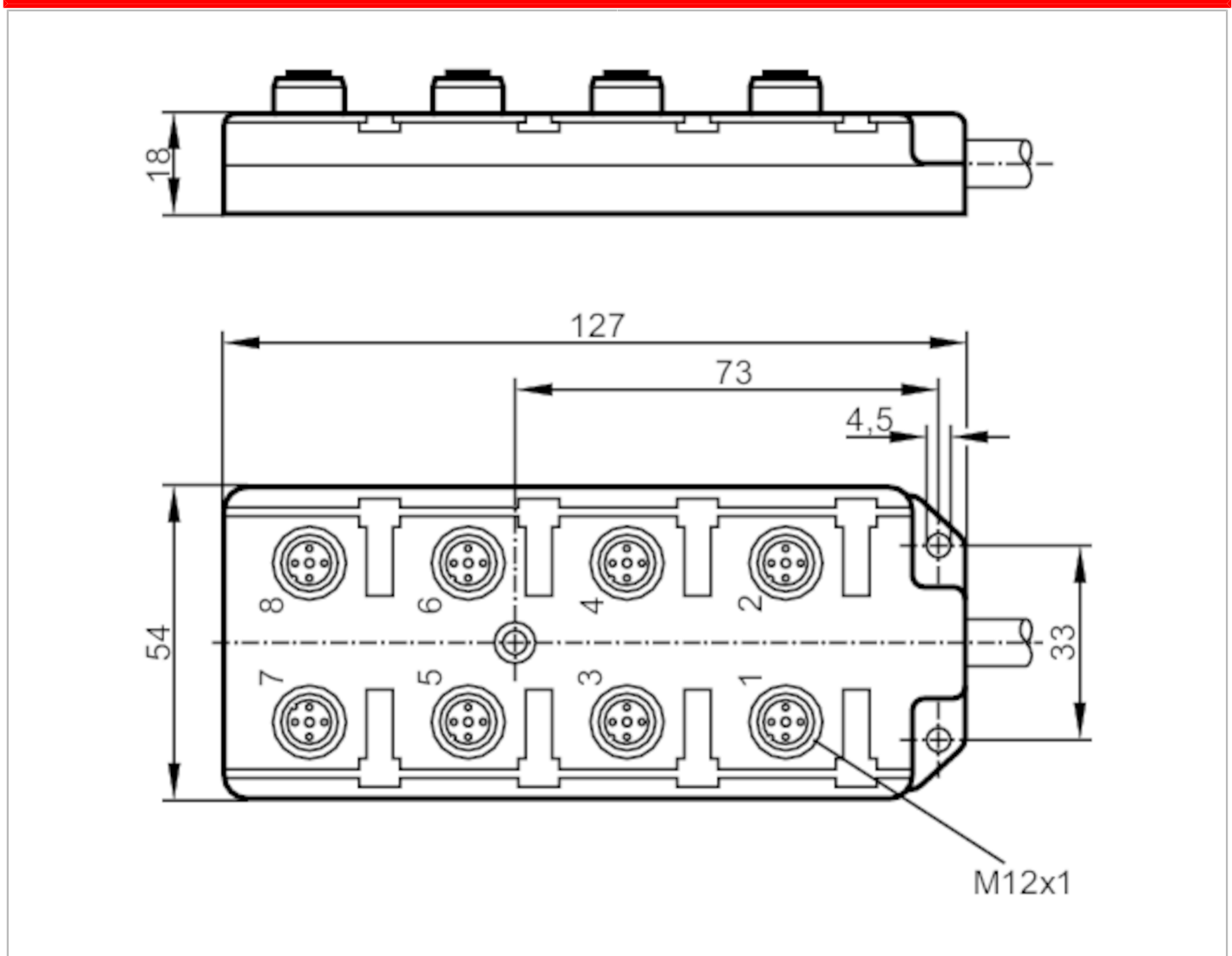
E11724



Splitter box

ZDO8H050MSS0010H07

Article no longer available - archive entry



Application

Special feature	Free from silicone; Halogen-free; Gold-plated contacts
Free from silicone	yes

Electrical data

Operating voltage	[V]	< 60 AC / < 75 DC
Protection class		II
Max. current load per module/slot	[A]	4
Max. current load total	[A]	12

Operating conditions

Ambient temperature	[°C]	-15...80
Protection		IP 67

Mechanical data

Materials	TPU
Number of ports splitter box	8
Connector type	M12

E11724



Splitter box

ZDO8H050MSS0010H07

Remarks

Pack quantity

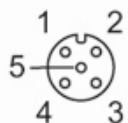
1 pcs.

Electrical connection

Cable: 10 m, PUR, Halogen-free, black, Ø 9 mm; 8 x 0.34 mm² (43 x Ø 0.1 mm) + 3 x 0.75 mm² (95 x Ø 0.1 mm)

Electrical connection - slot

Connector: 8 x M12; Moulded body: TPU; Contacts: gold-plated; Tightening torque: 0.5 Nm



E11724



Splitter box

ZDO8H050MSS0010H07

Connection

<u>BN</u>	1 (1...8)	C
<u>BU</u>	3 (1...8)	C
<u>GN/YE</u>	5 (1...8)	C
<u>WH</u>	4 (1)	C
<u>GN</u>	4 (2)	C
<u>YE</u>	4 (3)	C
<u>GY</u>	4 (4)	C
<u>PK</u>	4 (5)	C
<u>RD</u>	4 (6)	C
<u>BK</u>	4 (7)	C
<u>VT</u>	4 (8)	C

Core colours :

BK =	black
BN =	brown
BU =	blue
GN =	green
GY =	grey
PK =	pink
RD =	red
VT =	lilac
WH =	white
YE =	yellow

Article no longer available - archive entry