

# DTE800

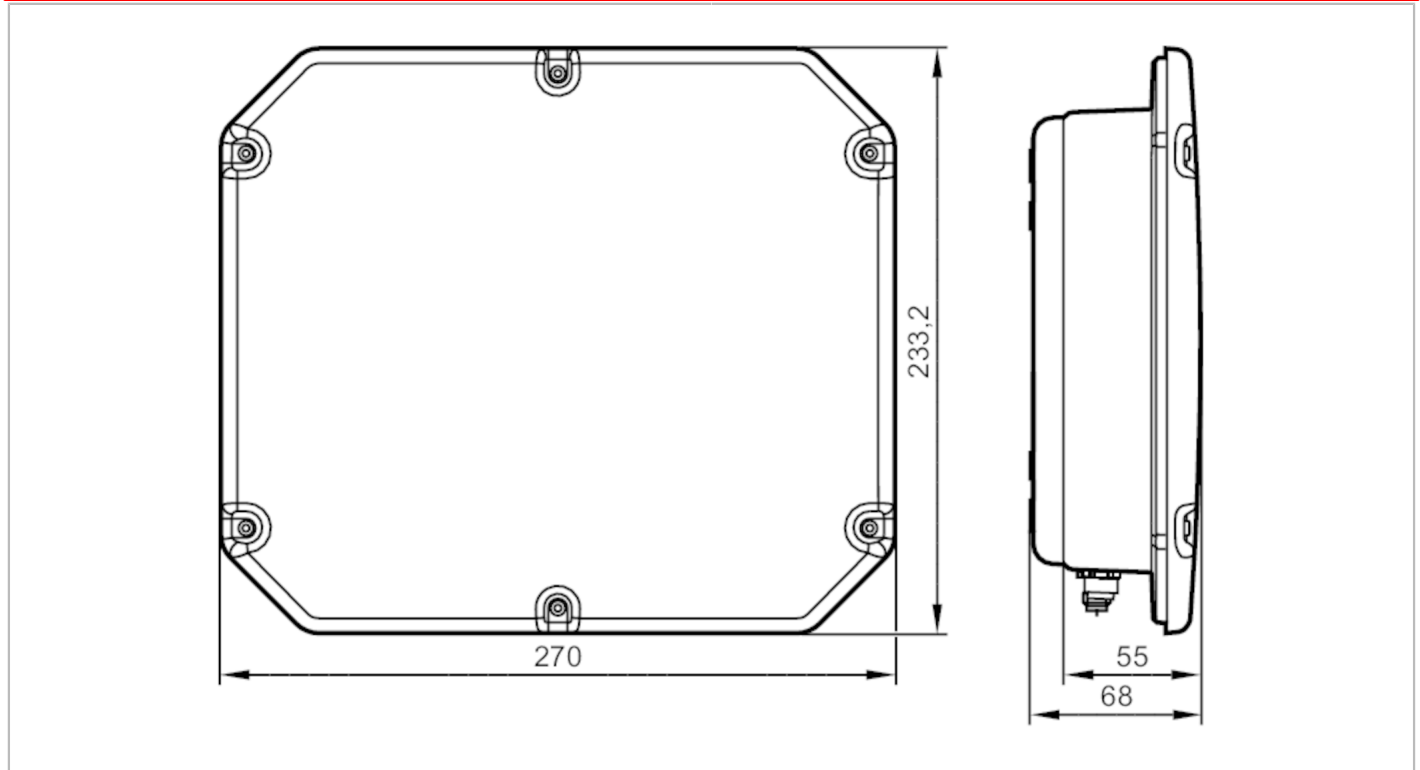


## Compact RFID device

DTEUHFE\_ABRWETUS04

Article no longer available - archive entry

replaced by: DTE810 – Discontinuation date: 31.03.2017




Electrical data	
Operating voltage [V]	24 DC
Current consumption [mA]	700
Operating frequency [MHz]	865...868 (ETSI); (Singapore: 866...868 MHz The operating frequency is activated by disabling channel 4.)
Antenna connections	4; (TNC Reverse)
RFID standard	EPC Class1 GEN2/ISO 18000-6C
Transmission power ERP [mW]	2000
Transmission power ERP [mW]	2000; (Singapore: ≤ 500 mW ERP The transmitter power must be limited manually by the user. )
Impedance [Ω]	50
Inputs / outputs	
Number of inputs and outputs	Number of digital inputs: 2; Number of digital outputs: 2
Inputs	
Number of digital inputs	2
Outputs	
Number of digital outputs	2
Max. current load per output [mA]	500
Software / programming	
Parameter setting options	Software

# DTE800



## Compact RFID device

DTEUHFE\_ABRWETUS04

Interfaces		
Communication interface		Ethernet
Ethernet		
Protocol		TCP/IP
Operating conditions		
Ambient temperature	[°C]	-25...55
Storage temperature	[°C]	-25...85
Protection		IP 65
Mechanical data		
Weight	[g]	3003.8
Housing		rectangular
Dimensions	[mm]	233.5 x 270 x 68
Materials		Protective cover: plastics; housing: aluminium; TNC socket: brass / PTFE; connector: brass / plastic
Displays / operating elements		
Display	operation	1 x LED, red/green
Remarks		
Notes		discontinued article
Pack quantity		1 pcs.
Electrical connection - Ethernet		
1	TD+	
2	RD+	
3	TD-	
4	RD-	
Connector: 1 x M12		
		
Electrical connection - Process connection		
1	U+	
2	switching output	
3	0 V	
4	switching input	
5	n.c.	
Connector: 1 x M12		

# DTE800



## Compact RFID device

DTEUHFE\_ABRWETUS04



### Electrical connection - supply

1	U+
2	n.c.
3	0 V
4	n.c.

Connector: 1 x M12



Article no longer available - archive entry

replaced by: DTE810 – Discontinuation date: 31.03.2017