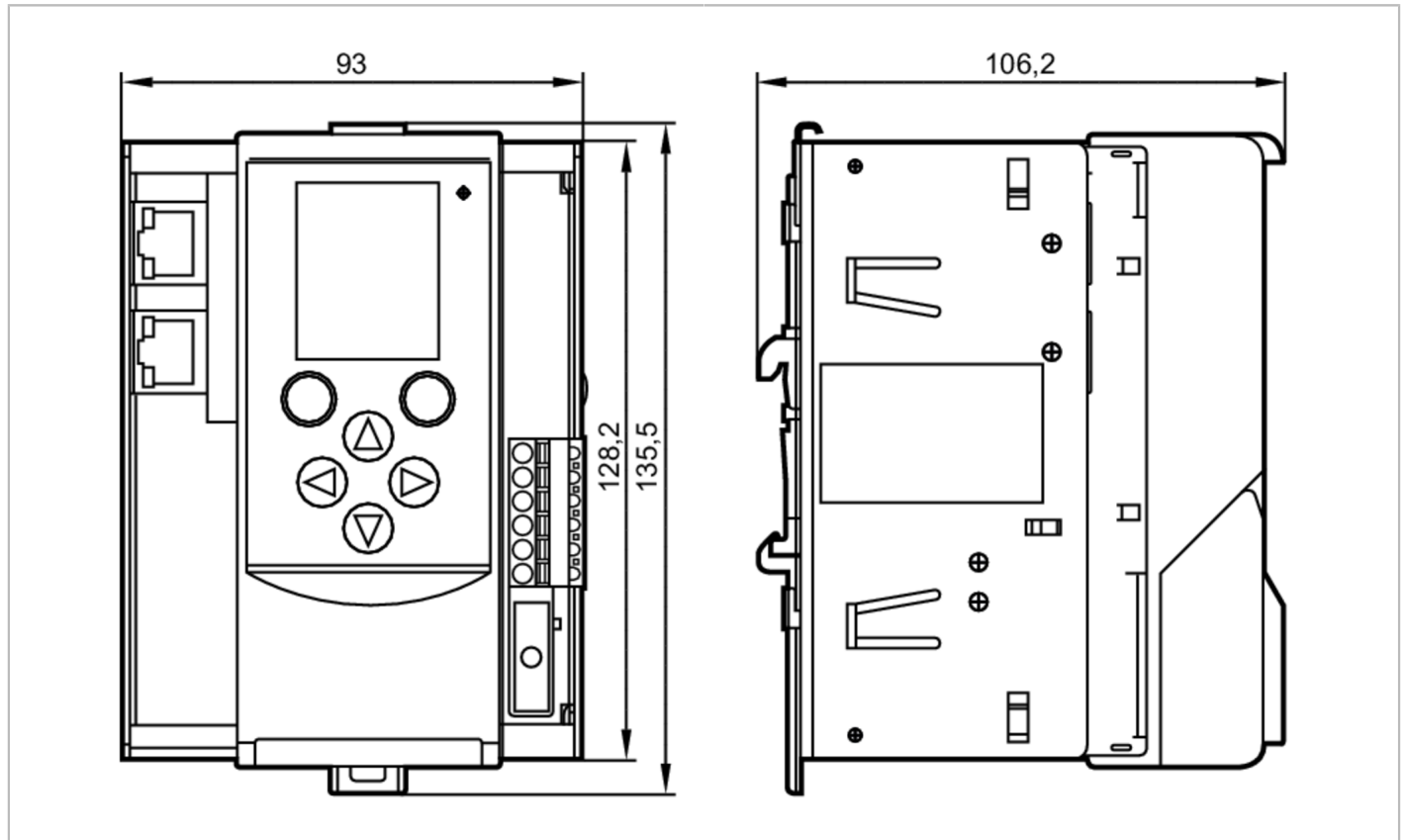


AC1402



AS-Interface PROFINET gateway

AS-i Gateway 2Master PN



Application

Application PROFINET gateway

Electrical data

Operating voltage [V]	18...32 DC; (AUX; AS-i: 21...31,6 V DC)
Current consumption [mA]	< 500; (AUX / AS-i 1)
Max. current consumption from AS-i [mA]	500; (with external supply: 10 mA; AS-i 2: 10 mA)
Number of AS-i masters	2
Electrical separation	yes

Outputs

Voltage range DC [V] to PELV

Interfaces

Communication interface Ethernet

Ethernet - Modbus TCP

Transmission rate	10 MBaud; 100 MBaud
Connector type	RJ45
Protocol	Modbus TCP
Usage type	programming



AS-Interface PROFINET gateway

AS-i Gateway 2Master PN

Ethernet - PROFINET		
Transmission rate		100 MBaud
Connector type		RJ45
Protocol		PROFINET
Usage type		data transmission
at_schnittstelle-zusatz		Device Class B
Ethernet - TCP/IP		
Transmission rate		10 MBaud; 100 MBaud
Connector type		RJ45
Protocol		TCP/IP
Usage type		programming
Ethernet - UDP/IP		
Transmission rate		10 MBaud; 100 MBaud
Connector type		RJ45
Protocol		UDP/IP
Usage type		programming
Operating conditions		
Ambient temperature	[°C]	0...60
Storage temperature	[°C]	-20...70
Protection		IP 20
Tests / approvals		
MTTF	[years]	40
AS-i classification		
AS-i version		3.0
AS-i profile		M4
AS-i certificate		97301
Mechanical data		
Weight	[g]	719
Housing		housing for DIN rail mounting
Materials		aluminium powder-coated; steel sheet galvanised; PC
Displays / operating elements		
Display	function	1 x LED, red/green
		full graphic LCD display
Accessories		
Accessories (supplied)		terminals
Accessories (optional)		license: "CODESYS V3", E71400
Remarks		
Pack quantity		1 pcs.

AC1402



AS-Interface PROFINET gateway

AS-i Gateway 2Master PN

Electrical connection

Connection

