

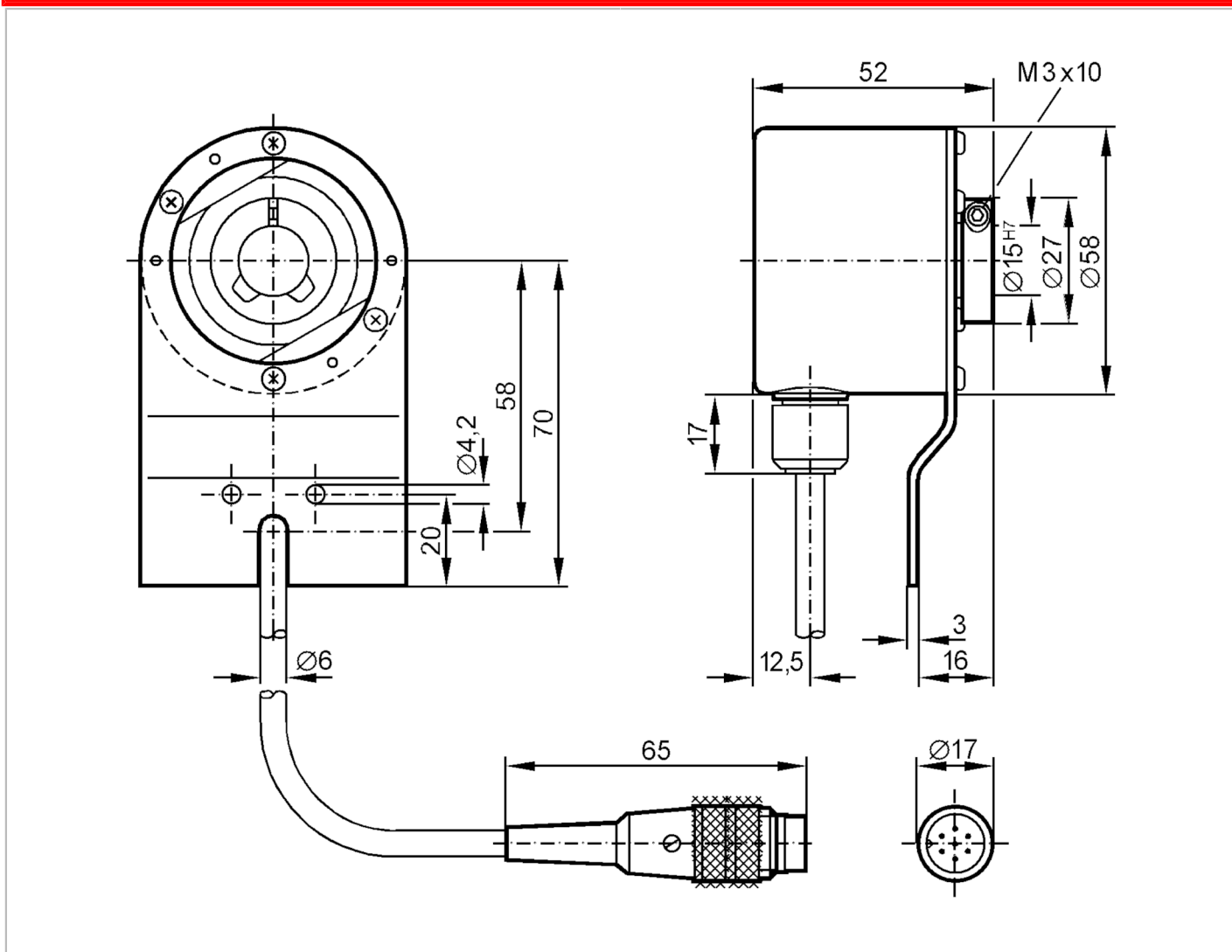
RN6058



Absolute singleturn encoder with solid shaft

RN-4096-S24/S

Article no longer available - archive entry



Product characteristics	
Resolution	4096 resolution; 4096 steps; 12 bit
Communication interface	SSI data interface
Shaft design	solid shaft
Shaft diameter [mm]	10
Electrical data	
Operating voltage [V]	10...30 DC
Current consumption [mA]	< 150
Max. revolution electrical [U/min]	6000
Outputs	
Code	Gray code; (increasing code values when turned clockwise (seen on the shaft))
Code signal	data input; TTL-compatible signals; clock and clock (inv.) from drivers to RS 485; data output; synchronous serial; TTL-compatible signals, data, and data (inv.); incremental signals; 2 sinusoidal incremental signals (A and B) ; phase shifted by 90°; 1 Vss 512 signal periods per revolution

RN6058



Absolute singleturn encoder with solid shaft

RN-4096-S24/S

Measuring/setting range	
Resolution	4096 resolution; 4096 steps; 12 bit
Interfaces	
Communication interface	SSI data interface
Operating conditions	
Ambient temperature [°C]	-20...85
Storage temperature [°C]	-30...80
Protection	IP 64
Tests / approvals	
Shock resistance	100 g (6 ms)
Vibration resistance	10 g (55...2000 Hz)
Mechanical data	
Dimensions [mm]	Ø 58 / L = 52
Materials	aluminium
Max. revolution, mechanical [U/min]	12000
Max. starting torque [Nm]	1
Reference temperature torque [°C]	20
Shaft design	solid shaft
Shaft diameter [mm]	10
Shaft material	steel (1.4104)
Max. shaft load axial (at the shaft end) [N]	10
Max. shaft load radial (at the shaft end) [N]	20
Electrical connection	
Cable: ,8 m, PUR; Maximum cable length: 100 m; radial	
1	0V
2	data
3	data inverted
4	clock
5	clock inverted
6	n.c.
7	10...30V
Screen	housing
Connector: 1 x; Maximum cable length: 100 m	
Diagrams and graphs	
Pulse diagram	<p>clock</p> <p>data</p>

Article no longer available - archive entry

RN6058

Absolute singleturn encoder with solid shaft

RN-4096-S24/S

