

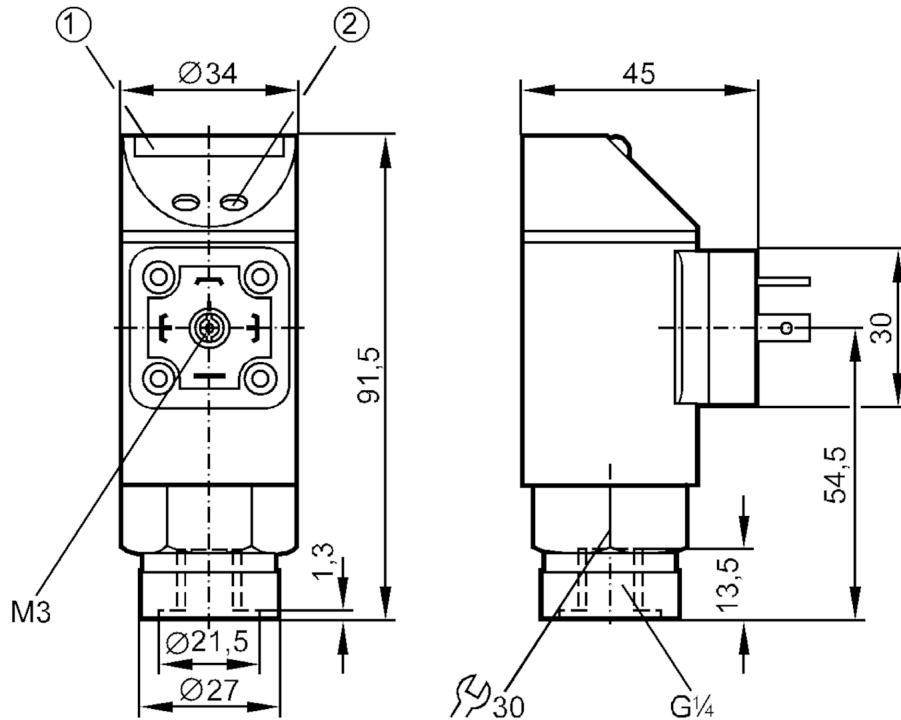
# PB6001



## Pressure sensor with LED bar display

PB-250-SBR14-FFPKG/SSI IV

Article no longer available - archive entry



- 1 LED bar display
- 2 programming button



### Product characteristics

|                       |   |
|-----------------------|---|
| Output signal         | switching signal                          |
| Measuring range [bar] | 0...250                                   |
| Process connection    | threaded connection G 1/4 internal thread |

### Application

|                              |  |
|------------------------------|--|
| Application                  | for industrial applications                                  |
| Media                        | liquids and gases  |
| Conditionally suitable for   | For gaseous media the application is limited to max. 25 bar. |
| Medium temperature [°C]      | -25...80   |
| Pressure rating [bar]        | 400  |
| Min. bursting pressure [bar] | 850  |
| Type of pressure             | relative pressure  |

# PB6001



## Pressure sensor with LED bar display

PB-250-SBR14-FFPKG/SS/ IV

| Electrical data                                 |       |  |
|---|-------|--|
| Operating voltage                               | [V]   | 18...30 DC   |
| Current consumption                             | [mA]  | < 50   |
| Min. insulation resistance                      | [MΩ]  | 100; (500 V DC)                                    |
| Protection class                                |       | III  |
| Reverse polarity protection                     |       | yes  |
| Power-on delay time                             | [s]   | 0.2  |
| Integrated watchdog                             |       | yes  |
| Inputs / outputs                                |       |  |
| Number of inputs and outputs                    |       | Number of digital outputs: 1                       |
| Outputs   |       |  |
| Total number of outputs                         |       | 1  |
| Output signal                                   |       | switching signal                                   |
| Electrical design                               |       | PNP  |
| Number of digital outputs                       |       | 1  |
| Output function                                 |       | normally open / normally closed; (parameterisable) |
| Max. voltage drop switching output DC           | [V]   | 2  |
| Permanent current rating of switching output DC | [mA]  | 250  |
| Switching frequency DC                          | [Hz]  | 5  |
| Short-circuit protection                        |       | yes  |
| Type of short-circuit protection                |       | pulsed   |
| Overload protection                             |       | yes  |
| Measuring/setting range                         |       |  |
| Measuring range                                 | [bar] | 0...250  |
| Set point SP                                    | [bar] | 12.5...250   |
| Reset point rP                                  | [bar] | 7.5...245  |
| In steps of                                     | [bar] | 2.5  |
| Accuracy / deviations                           |       |  |
| Switch point accuracy<br>[% of the final value] |       | < ± 2,0  |
| Repeatability<br>[% of the final value]         |       | < ± 0,25; (with temperature fluctuations < 10 K)   |
| Temperature drift per 10 K                      |       | < ± 0.3  |
| Software / programming                          |       |  |
| Adjustment of the switch point                  |       | programming button                                 |
| Operating conditions                            |       |  |
| Ambient temperature                             | [°C]  | -25...80   |
| Storage temperature                             | [°C]  | -40...100  |
| Protection                                      |       | IP 65  |

# PB6001



## Pressure sensor with LED bar display

PB-250-SBR14-FFPKG/SS/ IV

### Tests / approvals

|                      |                           |                     |
|----------------------|---------------------------|---------------------|
| EMC                  | EN 61000-4-2 ESD          | 4 kV CD / 8 kV AD   |
|                      | EN 61000-4-3 HF radiated  | 10 V/m              |
|                      | EN 61000-4-4 Burst        | 2 kV                |
|                      | EN 61000-4-6 HF conducted | 10 V                |
| Shock resistance     | DIN IEC 68-2-27           | 50 g (11 ms)        |
| Vibration resistance | DIN IEC 68-2-6            | 20 g (10...2000 Hz) |

### Mechanical data

|                          |   |  |
|--------------------------|---|--|
| Materials                | EPDM/X; FKM; NBR; PA; PBT; PC; stainless steel (1.4301 / 304) |  |
| Materials (wetted parts) | FKM; ceramics; stainless steel (1.4305 / 303)                 |  |
| Min. pressure cycles     | 100 million   |  |
| Process connection       | threaded connection G 1/4 internal thread                     |  |

### Displays / operating elements

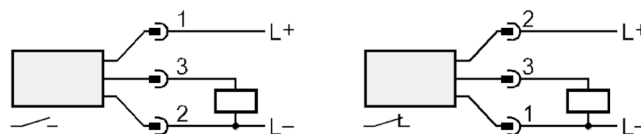
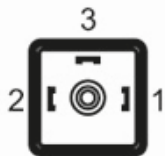
|         |                  |   |
|---------|------------------|---|
| Display | switching status | LED, yellow                                       |
|         | measured values  | 10 x LED, green Resolution 10% of the final value |

### Remarks

|               |        |
|---------------|--------|
| Pack quantity | 1 pcs. |
|---------------|--------|

### Electrical connection

Connector: 1 x valve type A DIN (DIN EN 175301-803)



Article no longer available - archive entry