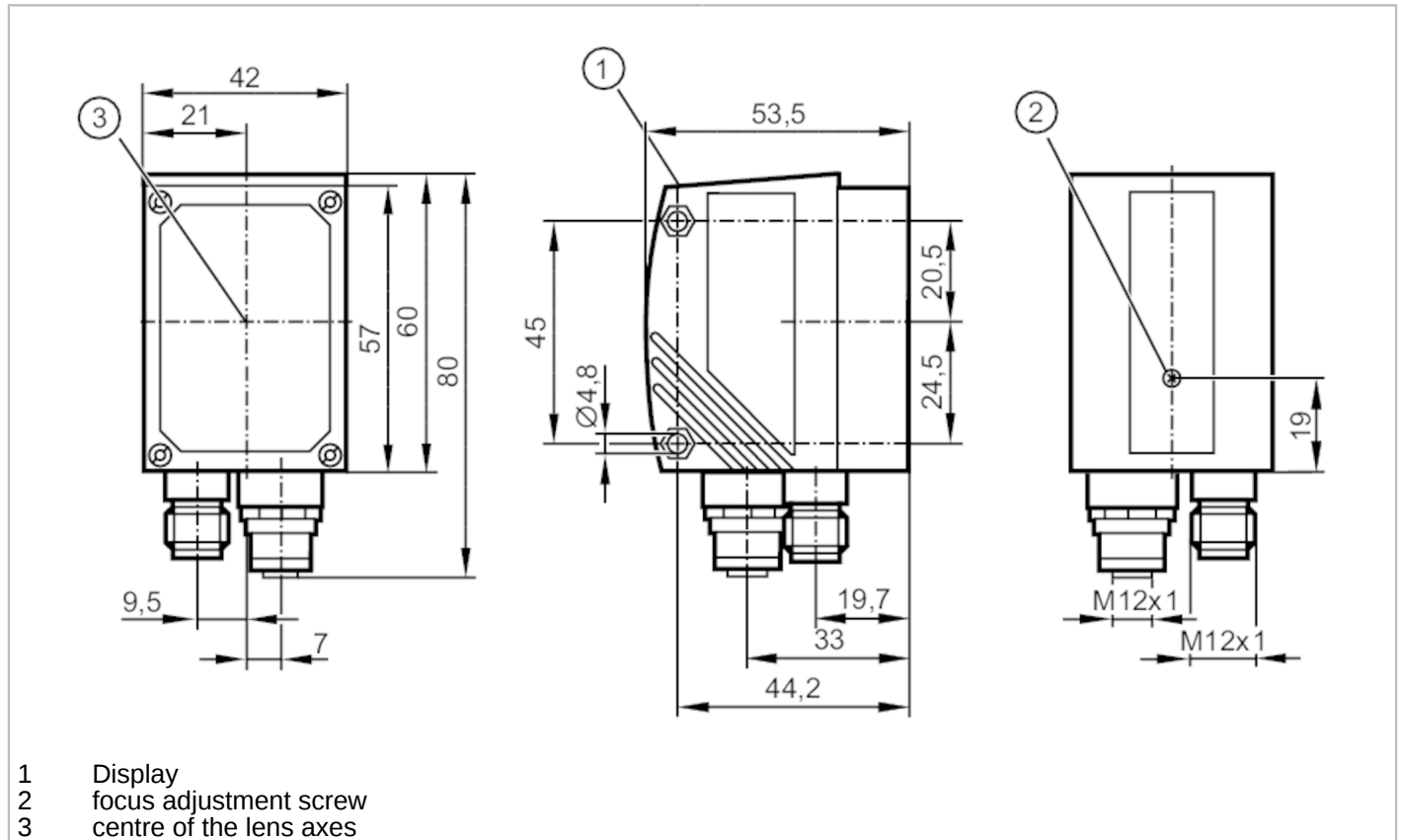


O2I351



1D/2D code readers

O2IIOS-G/D/RS232/E1/E2



Product characteristics

Type of light		infrared light
Image resolution	[px]	640 x 480
Lens type		standard
Max. reading rate	[Hz]	20
Dimensions	[mm]	60 x 42 x 53.5

Electrical data

Operating voltage tolerance	[%]	10
Operating voltage	[V]	24 DC
Current consumption	[mA]	< 300
Protection class		III
Reverse polarity protection		yes
Type of light		infrared light
Wave length	[nm]	850
Image sensor		CMOS image sensor black/white
Internal lighting		yes
Laser marking		yes

Inputs / outputs

Number of inputs and outputs		Number of digital outputs: 2
------------------------------	--	------------------------------



1D/2D code readers

O2I10S-G/D/RS232/E1/E2

Inputs																	
Trigger	internal; 24 V PNP (IEC 61131-2 Typ 1); RS-232; TCP/IP; EtherNet/IP																
Outputs																	
Total number of outputs	2																
Number of digital outputs	2; (configurable)																
Output function	24 V PNP																
Max. voltage drop switching output DC [V]	2																
Max. current load per output [mA]	100																
Short-circuit protection	yes																
Overload protection	yes																
Detection zone																	
	<table border="1"> <thead> <tr> <th>Operating distance</th> <th>field of view</th> <th>Smallest detectable object</th> <th>Resolution</th> </tr> </thead> <tbody> <tr> <td>50</td> <td>16 x 12</td> <td></td> <td></td> </tr> <tr> <td>100</td> <td>32 x 24</td> <td></td> <td></td> </tr> <tr> <td>200</td> <td>64 x 48</td> <td></td> <td></td> </tr> </tbody> </table>	Operating distance	field of view	Smallest detectable object	Resolution	50	16 x 12			100	32 x 24			200	64 x 48		
Operating distance	field of view	Smallest detectable object	Resolution														
50	16 x 12																
100	32 x 24																
200	64 x 48																
Field of view size [mm]																	
Operating distance [mm]	> 50																
Image resolution [px]	640 x 480																
Lens type	standard																
Readable codes	Interleaved 2-of-5; Industrial 2-of-5; Code 39; Code 93; Code 128; Pharmacode; Codabar; EAN8; EAN8 Add-On 2; EAN8 Add-On 5; EAN13; EAN13 Add-On 2; EAN13 Add-On 5; UPC-A; UPC-A Add-On 2; UPC-A Add-On 5; UPC-E; UPC-E Add-On 2; UPC-E Add-On 5; GS1 DataBar Omnidirectional; GS1 DataBar Truncated; GS1 DataBar Stacked; GS1 DataBar Stacked Omnidirectional; GS1 DataBar Limited; GS1 DataBar Expanded; GS1 DataBar Expanded Stacked; GS1 - 128; MSI Barcode; ECC200; PDF-417; QR; Micro-QR; Aztec Code; GS1 ECC200; GS1 QR Code; GS1 Aztec Code																
Legible fonts	Industrial; Document																
Text recognition	yes																
Omnidirectional reading	yes																
Max. inclination to the image plane [°]	45																
Max. reading rate [Hz]	20																
Software / programming																	
Parameter setting options	via two pushbuttons and 10-segment display or via PC / notebook with operating software																
Interfaces																	
Communication interface	Ethernet; RS232																
Number of R232 interfaces	1																

O2I351



1D/2D code readers

O2I10S-G/D/RS232/E1/E2

Ethernet	
Number of Ethernet interfaces	1
Transmission standard	10Base-T; 100Base-TX
Transmission rate	10; 100
Protocol	TCP/IP; UDP; EtherNet/IP
Factory settings	IP address: 192.168.0.79
	subnet mask: 255.255.255.0
	gateway IP address: 192.168.0.201
	MAC address: see type label

Operating conditions	
Ambient temperature [°C]	-10...50
Storage temperature [°C]	-40...85
Protection	IP 67

Tests / approvals		
EMC	radiation of interference	EN 61326
	noise immunity	EN 61326
Shock resistance	IEC 60028-2-27	
Vibration resistance	IEC 60028-2-6	
UL approval	UL Approval no.	T001

Mechanical data	
Weight [g]	414
Dimensions [mm]	60 x 42 x 53.5
Materials	housing: diecast zinc powder-coated; front lens: glass; LED window: PC

Displays / operating elements		
Display	function	3 x LED, green
	switching status	4 LED, yellow
		10-segment display, 4-digit

Accessories	
Accessories (optional)	Operating software Mounting accessories

Remarks	
Remarks	operating voltage "supply class 2" according to cULus
Notes	For 8-pole sockets the core colours are not standardised.; Please note the wiring of the sensor and the sockets (see data sheet).
Pack quantity	1 pcs.

Electrical connection - Ethernet	
1	TxD+
2	RxD+
3	TxD-
4	RxD-

Connector: 1 x M12

O2I351



1D/2D code readers

O2IIOS-G/D/RS232/E1/E2



Electrical connection - RS-232

1	U+
2	trigger input
3	0 V
4	switching output 1 code evaluation / trigger output with external illumination
5	RxD RS-232
6	TxD RS-232
7	switching output 2 Ready
8	GND RS-232 electrically isolated < 50 V

Connector: 1 x M12

