

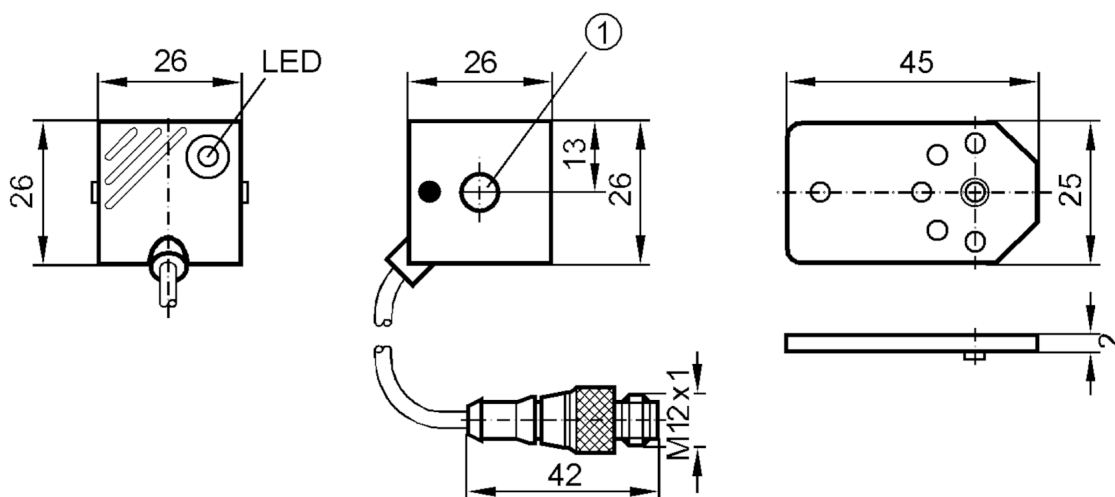
# IO9908



## Inductive sensor

IOW2010-ARKG/0,80M/PUR/US

Article no longer available - archive entry



1 mounting holes M4 reinforced



### Product characteristics

|                   |      |               |
|-------------------|------|---------------|
| Electrical design |      | PNP/NPN       |
| Output function   |      | normally open |
| Sensing range     | [mm] | 10            |
| Housing           |      | rectangular   |
| Dimensions        | [mm] | 26 x 26 x 26  |

### Electrical data

|                             |     |            |
|-----------------------------|-----|------------|
| Operating voltage           | [V] | 10...55 DC |
| Protection class            |     | II         |
| Reverse polarity protection |     | yes        |

# IO9908



## Inductive sensor

IOW2010-ARKG/0,80M/PUR/US

| Outputs   |                          |   |
|---|--------------------------|---|
| Electrical design                               |                          | PNP/NPN   |
| Output function                                 |                          | normally open   |
| Max. voltage drop switching output DC           | [V]                      | 4.5   |
| Minimum load current                            | [mA]                     | 4   |
| Max. leakage current                            | [mA]                     | 0.6   |
| Permanent current rating of switching output DC | [mA]                     | 100   |
| Switching frequency DC                          | [Hz]                     | 250   |
| Short-circuit protection                        |                          | yes   |
| Type of short-circuit protection                |                          | pulsed  |
| Overload protection                             |                          | yes   |
| Detection zone                                  |                          |   |
| Sensing range                                   | [mm]                     | 10  |
| Real sensing range Sr                           | [mm]                     | 10 ± 10 %   |
| Operating distance                              | [mm]                     | 0...8.1   |
| Accuracy / deviations                           |                          |   |
| Correction factor                               |                          | steel: 1 / stainless steel: 0.7 / brass: 0.4 / aluminium: 0.3 / copper: 0.2 |
| Hysteresis                                      | [% of Sr]                | 1...15  |
| Switch point drift                              | [% of Sr]                | -10...10  |
| Operating conditions                            |                          |   |
| Ambient temperature                             | [°C]                     | -25...70  |
| Protection                                      |                          | IP 67   |
| Tests / approvals                               |                          |   |
| EMC   | EN 60947-5-2<br>EN 55011 | class B   |
| Mechanical data                                 |                          |   |
| Housing   |                          | rectangular   |
| Mounting  |                          | flush mountable   |
| Dimensions                                      | [mm]                     | 26 x 26 x 26  |
| Materials                                       |                          | PBT   |
| Displays / operating elements                   |                          |   |
| Display   | switching status         | 1 x LED, yellow   |
| Remarks   |                          |   |
| Pack quantity                                   |                          | 1 pcs.  |
| Electrical connection                           |                          |   |
| Cable: 0.8 m, PUR                               |                          |   |
| Electrical connection - plug                    |                          |   |
| Connector: 1 x M12                              |                          |   |

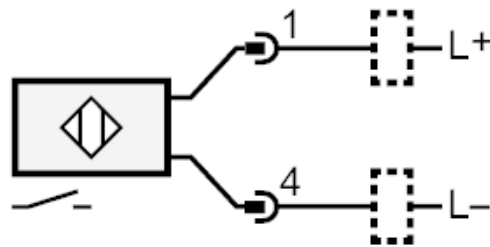
# IO9908

## Inductive sensor

IOW2010-ARKG/0,80M/PUR/US



### Connection



Article no longer available - archive entry