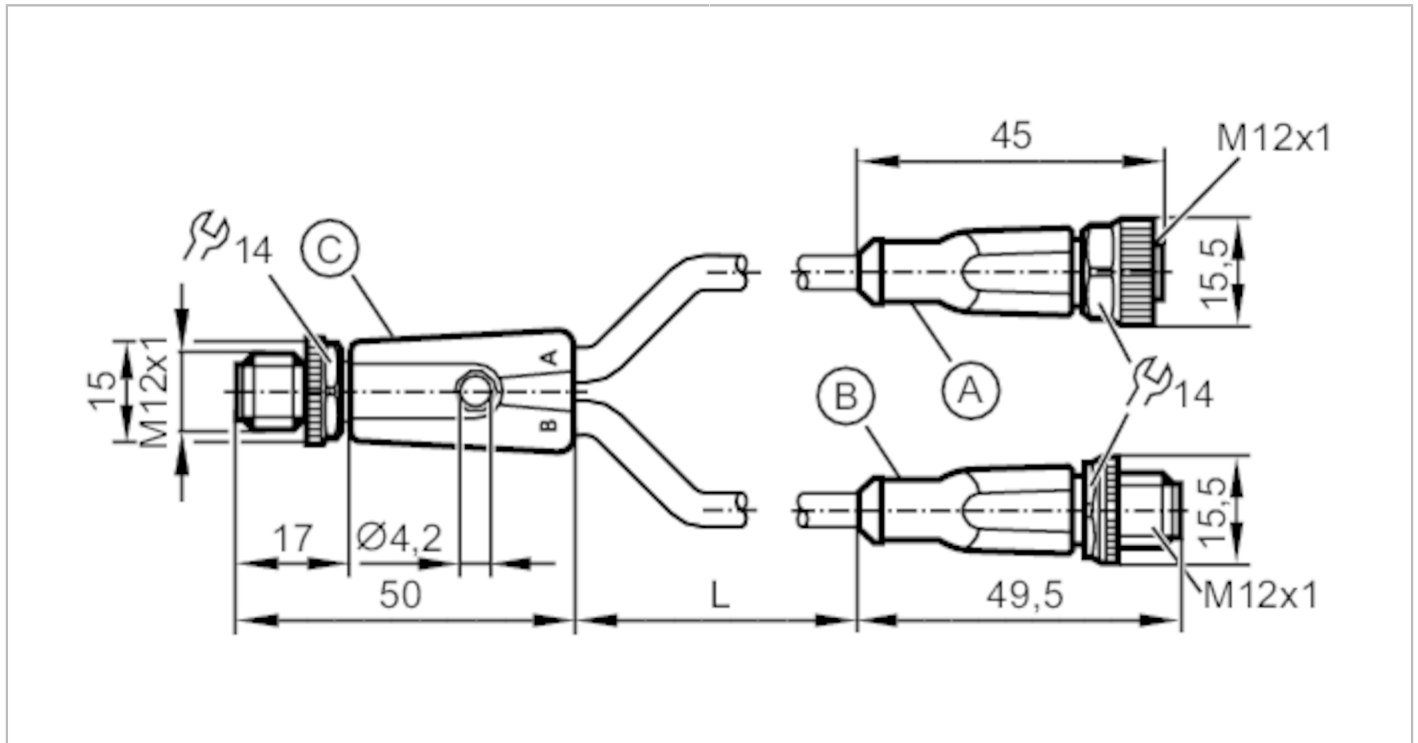


# EVC696



## Y connection cable

YDSGHDA0MSS0010HDASTGH030MSS



Application		
Special feature	Free from silicone; Halogen-free; Gold-plated contacts; Drag chain suitability	
Free from silicone	yes	
Electrical data		
Operating voltage [V]	< 24 DC	
Protection class	III	
Max. current load total [A]	4	
Operating conditions		
Ambient temperature [°C]	-25...90	
Protection	IP 65; IP 67; IP 68; IP 69K	
Mechanical data		
Weight [g]	658.5	
Materials	Connecting cable with plug: TPU orange; Connecting cable with socket: TPU orange; Sealing: Viton	
Material nut	brass, nickel-plated / brass, nickel-plated / brass, nickel-plated	
Connector type	M12	
Drag chain suitability	yes	
Drag chain suitability	bending radius for flexible use	min. 10 x cable diameter
	travel speed	max. 3.3 m/s for a horizontal travel length of 5 m and max. acceleration of 5 m/s <sup>2</sup>
	bending cycles	> 5 Mio.
	torsional strain	± 180 °/m
Remarks		
Notes	Please see the technical note under "Downloads"	
Pack quantity	1 pcs.	

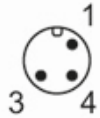


## Y connection cable

YDSGHDA0MSS0010HDASTGH030MSS

### Electrical connection - plug C

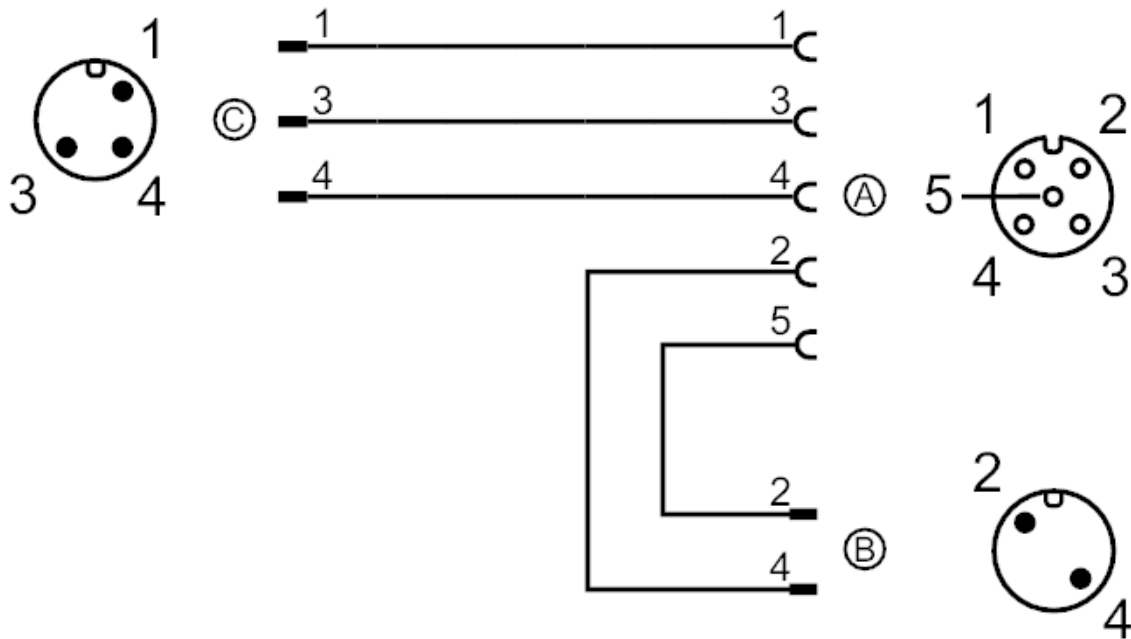
Connector: M12; Moulded body: TPU, Halogen-free, orange; Locking: Lock nut, brass, nickel-plated; Sealing: Viton; Contacts: gold-plated; Tightening torque: 0.6...1.5 Nm; Take into account the maximum value of the counterpart!



### Electrical connection

Cable: 10 m, PUR, Halogen-free, black,  $\varnothing$  4.9 mm; 2 x 0.34 mm<sup>2</sup> (42 x  $\varnothing$  0.1 mm) + 5 x 0.34 mm<sup>2</sup> (42 x  $\varnothing$  0.1 mm)

### Connection



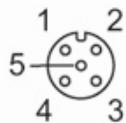
### Electrical connection - socket A

Connector: M12; Moulded body: TPU, Halogen-free, orange; Locking: Lock nut, brass, nickel-plated; Sealing: Viton; Contacts: gold-plated; Tightening torque: 0.6...1.5 Nm; Take into account the maximum value of the counterpart!



## Y connection cable

YDSGHDA0MSS0010HDASTGH030MSS

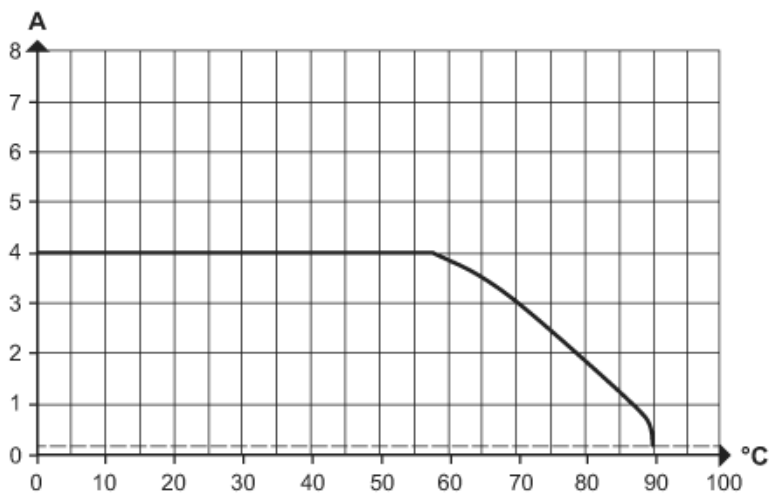


### Electrical connection - plug B

Connector: M12; Moulded body: TPU, Halogen-free, orange; Locking: Lock nut, brass, nickel-plated; Sealing: Viton; Contacts: gold-plated; Tightening torque: 0.6...1.5 Nm; Take into account the maximum value of the counterpart!



### Diagrams and graphs



Derating  $I_{max} * 0.8$  DIN EN 60512-5-2

X Ambient temperature [°C]

Y Current [A]