

# E10158

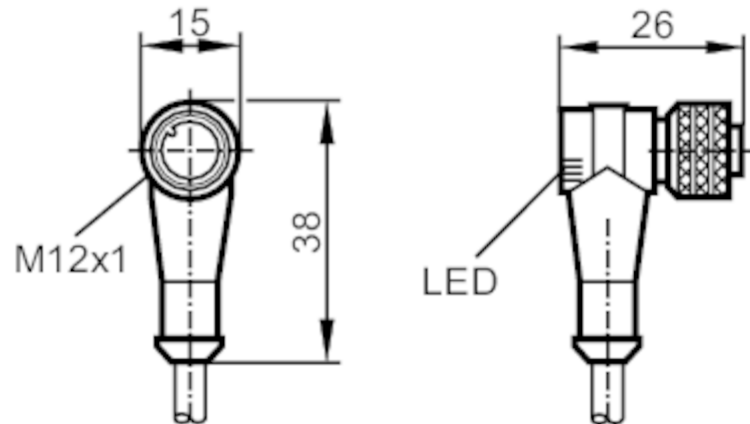


## Connecting cable with socket

ADOAH042MSS0002E03

Article no longer available - archive entry

replaced by: EVC615



### Electrical data

Operating voltage [V] 10...30 DC

### Outputs

Electrical design PNP

### Operating conditions

Ambient temperature [°C] -25...80

Protection IP 67

### Mechanical data

Weight [g] 65.4

Dimensions [mm] 26 x 15 x 38

Materials TPU transparent

Material nut brass, nickel-plated

### Displays / operating elements

Display	switching status	1 x LED, yellow
	operation	1 x LED, green

### Remarks

Pack quantity 1 pcs.

### Electrical connection

Cable: 2 m, PUR, black, Ø 5 mm; 3 x 0.34 mm<sup>2</sup> (42 x Ø 0.1 mm)

### Electrical connection - socket

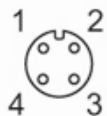
Connector: 1 x M12, angled; Moulded body: TPU, transparent; Locking: brass, nickel-plated; Tightening torque: 0.5 Nm

# E10158

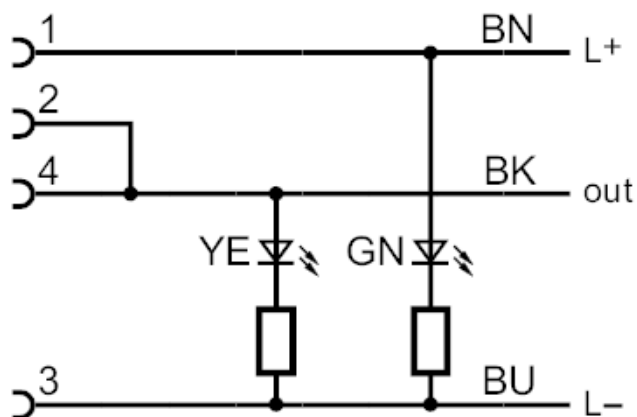


## Connecting cable with socket

ADOAH042MSS0002E03



### Connection



Core colours :

BN =

brown

BK =

black

BU =

blue

Article no longer available - archive entry

replaced by: EVC615