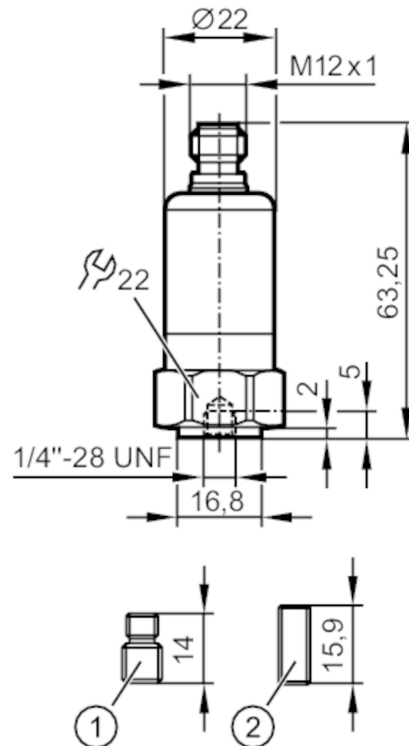




Vibration transmitter

VIBRATION TRANSMITTER



- 1 set screw 1/4"-28 UNF / M8 x 1.25 mm
 2 set screw 1/4"-28 UNF
 Tightening torque 8 Nm



Product characteristics

Measuring range of vibration [mm/s]	0...25; (RMS)
Frequency range [Hz]	10...1000

Application

Application	vibration transmitter to ISO 10816
-------------	------------------------------------

Electrical data

Operating voltage [V]	9.6...32 DC
Protection class	III
Sensor type	microelectromechanical system (MEMS)

Inputs / outputs

Total number of inputs and outputs	1
------------------------------------	---

Outputs

Analogue current output [mA]	4...20
Max. load [Ω]	$< (U_b - 9,6 \text{ V}) \times 50$; $U_b = 24 \text{ V}$: 720

Measuring/setting range

Measuring range of vibration [mm/s]	0...25; (RMS)
Frequency range [Hz]	10...1000

VTV122



Vibration transmitter

VIBRATION TRANSMITTER

Number of measurement axes	1
----------------------------	---

Accuracy / deviations

Measuring error [% of the final value]	< ± 3
Repeatability	< 0,5; (% of the final value)
Linearity deviation	0,25 %

Operating conditions

Ambient temperature [°C]	-30...125
Note on ambient temperature	UL application: < 80 °C
Storage temperature [°C]	-30...125
Protection	IP 67; IP 68; IP 69K

Tests / approvals

EMC	EN 61000-4-2 ESD	4 kV CD / 8 kV AD
	EN 61000-4-3 HF radiated	10 V/m
	EN 61000-4-4 Burst	2 kV
	EN 61000-4-5 Surge	1 kV
	EN 61000-4-6 HF conducted	10 V
Shock resistance		400 g
MTTF [years]		868

Mechanical data

Weight [g]	123.5
Type of mounting	set screw
Materials	stainless steel (316L/1.4404)
Tightening torque [Nm]	8

Accessories

Items supplied	set screw: 1 x (1/4"-28 UNF / M8 x 1,25 mm) set screw: 1 x (1/4"-28 UNF)
----------------	---

Remarks

Pack quantity	1 pcs.
---------------	--------

Electrical connection

Connector: 1 x M12; coding: A



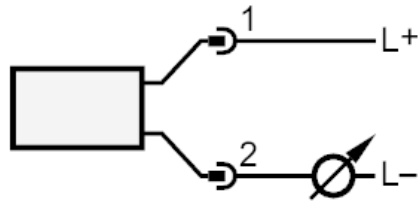
VTV122



Vibration transmitter

VIBRATION TRANSMITTER

Connection



1	L+
2	4...20 mA