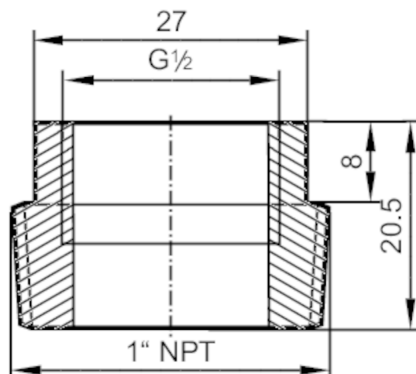


US0016



Screw-in adapter for process sensors

ADTR, SF3, 1" NPT, PVC



Mechanical data

Weight	[g]	22.68
--------	-----	-------

Materials	PVC
-----------	-----

Remarks

Pack quantity	1 pcs.
---------------	--------