

TAD961



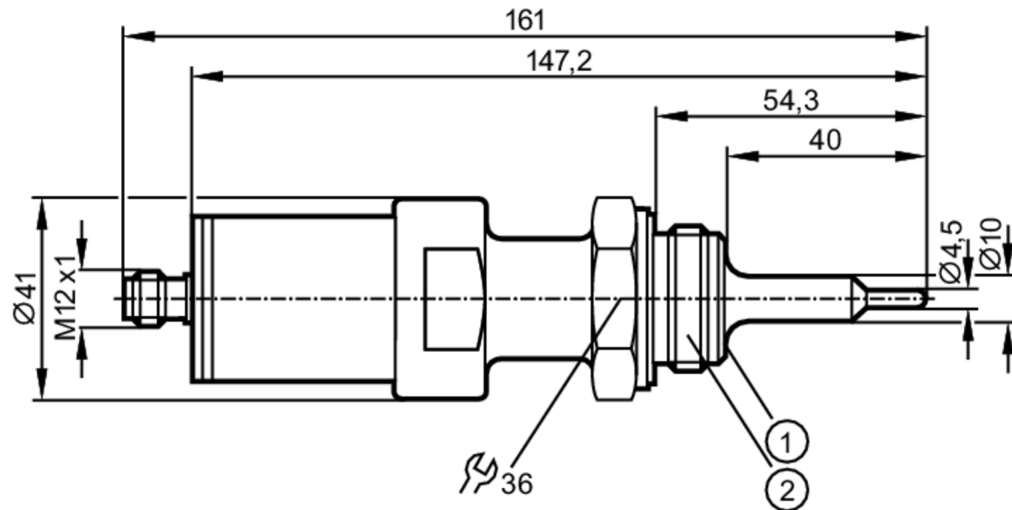
Temperature transmitter with drift detection

TAD040KLES30-A-DKG/US

Article no longer available - archive entry

Alternative articles: TAD991 + E33403

When selecting an alternative article and accessories please note that technical data may differ!



- 1 sealing area
- 2 Aseptoflex thread



EHEDG Certified

Product characteristics

Number of inputs and outputs	Number of digital outputs: 1; Number of analogue outputs: 1	
Measuring range	-25...160 °C	-13...320 °F
Process connection	Aseptoflex	
Installation length EL [mm]	40	

Application

Special feature	Gold-plated contacts
Measuring element	1 x Pt 1000 + 1 x NTC; (thermally coupled, with backup function (temperature measuring even if one element fails))
Media	liquids and gases
Pressure rating [bar]	50
Minimum installation depth [mm]	15
No dead space	yes

Electrical data

Operating voltage [V]	20...32 DC; (to SELV/PELV)
Current consumption [mA]	23; (24 V)
Protection class	III
Reverse polarity protection	yes
Power-on delay time [s]	4
Integrated watchdog	yes



Temperature transmitter with drift detection

TAD040KLES30-A-DKG/US

Inputs / outputs		
Number of inputs and outputs	Number of digital outputs: 1; Number of analogue outputs: 1	
Outputs		
Total number of outputs	2	
Output signal	switching signal; analogue signal; (configurable)	
Electrical design	PNP/NPN	
Number of digital outputs	1	
Output function	normally open / normally closed / diagnostic signal; (parameterisable)	
Max. voltage drop switching output DC [V]	2	
Permanent current rating of switching output DC [mA]	250	
Diagnostic output	diagnostic output for drift and fault monitoring	
Number of analogue outputs	1	
Analogue current output [mA]	4...20	
Max. load [Ω]	$(U_b - 10 \text{ V}) \times 50$	
Short-circuit protection	yes	
Type of short-circuit protection	pulsed	
Overload protection	yes	
Measuring/setting range		
Probe length L [mm]	40	
Measuring range	-25...160 °C	-13...320 °F
Drift warning	0.2...5 °C	0.4...9 °F
Drift alarm	0.2...5 °C	0.4...9 °F
In steps of	0.05 °C	0.1 °F
Resolution		
Resolution of analogue output [K]	0.05	
Accuracy / deviations		
Precision analogue output [K]	$\pm 0,2$ (-10...100°C); $\pm 0,3$ (-25...-10/100...150°C); (probe completely inserted into the measured medium up to the sealing chamfer)	
Drift monitoring [K]	$\pm 0,2$ (-10...100°C); $\pm 0,3$ (-25...-10/100...150°C *); (probe completely inserted into the measured medium up to the sealing chamfer)	
Temperature coefficient [% of the span / 10 K]	$< \pm 0,01$; (in case of deviation from the reference condition 25 ± 5 °C)	
Response times		
Dynamic response T05 / T09 [s]	6 / 13	
Software / programming		
Parameter setting options	drift warning/drift alarm threshold; Fail-Safe; Display unit; scaling of the analogue output; redundancy switching; performance diagnostic output; switching logic; normally open / normally closed; programmable via EPS interface	

TAD961



Temperature transmitter with drift detection

TAD040KLES30-A-DKG/US

Operating conditions	
Ambient temperature [°C]	-25...70
Note on ambient temperature	electronics: -25...70 °C Process connection: -32...170 °C
Storage temperature [°C]	-40...85
Protection	IP 67; IP 69K

Tests / approvals		
EMC	DIN EN 61000-4-2 ESD	4 kV CD / 8 kV AD
	EN 61000-4-3 HF radiated	10 V/m
	DIN EN 61000-4-4 Burst	2 kV
	EN 61000-4-6 HF conducted	10 V
Shock resistance	DIN IEC 68-2-27	50 g (11 ms)
Vibration resistance	DIN EN 60068-2-6	20 g (10...2000 Hz)
Note on approval	Including free 5-point calibration certificate.	

Mechanical data	
Weight [g]	0.456
Materials	stainless steel (1.4404 / 316L); PEI; FKM
Materials (wetted parts)	stainless steel (1.4404 / 316L)
Process connection	Aseptoflex
Surface characteristics Ra/Rz of the wetted parts	Ra: < 0.6
Installation length EL [mm]	40

Remarks	
Remarks	referring to UL: for use on a low voltage circuit with overcurrent protection in accordance with UL873 tab. 28.1 or $I_{max} = 100/U_b$ (U_b = voltage of the circuit) The 3-A qualification is only valid if adapters with 3-A qualification are used for installation.
Pack quantity	1 pcs.

Electrical connection

Connector: 1 x M12; coding: A; Contacts: gold-plated



TAD961



Temperature transmitter with drift detection

TAD040KLES30-A-DKG/US

Connection

