

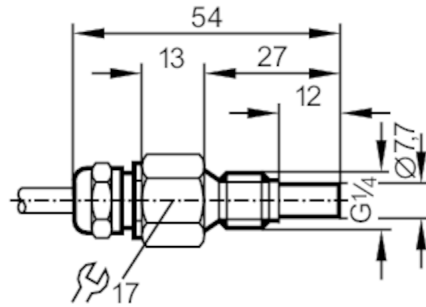
ST0528



Flow sensor for connection to an evaluation unit

STR14ABBE1/6M

Article no longer available - archive entry



Product characteristics

Process connection G 1/4 external thread

Application

Application high-temperature range
 Media Liquids; Gases
 Medium temperature [°C] -30...20
 Pressure rating [bar] 30

Liquids

Application high-temperature range
 Medium temperature [°C] -30...20

Gases

Medium temperature [°C] -30...20

Electrical data

Connection to control monitor VS 0100 Ex

Measuring/setting range

Liquids

Setting range [cm/s] 3...300
 Greatest sensitivity [cm/s] 3...60

Gases

Setting range [cm/s] 100...2000
 Greatest sensitivity [cm/s] 100...800

Accuracy / deviations

Temperature gradient [K/min] 15

Response times

Response time [s] 1...10

Liquids

Response time [s] 1...10

Gases

Response time [s] 1...10

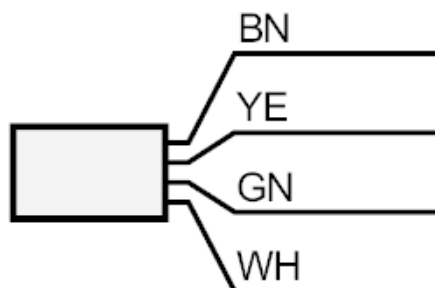
ST0528



Flow sensor for connection to an evaluation unit

STR14ABBE1/6M

Operating conditions	
Protection	IP 67
Mechanical data	
Housing	threaded type
Materials	stainless steel (1.4571/316Ti)
Process connection	G 1/4 external thread
Remarks	
Pack quantity	1 pcs.
Electrical connection	
Cable: 6 m, PUR; Maximum cable length: 100 m; 4 x 0.34 mm ²	
Connection	



Core colours :

BN =	brown
WH =	white
YE =	yellow
GN =	green