

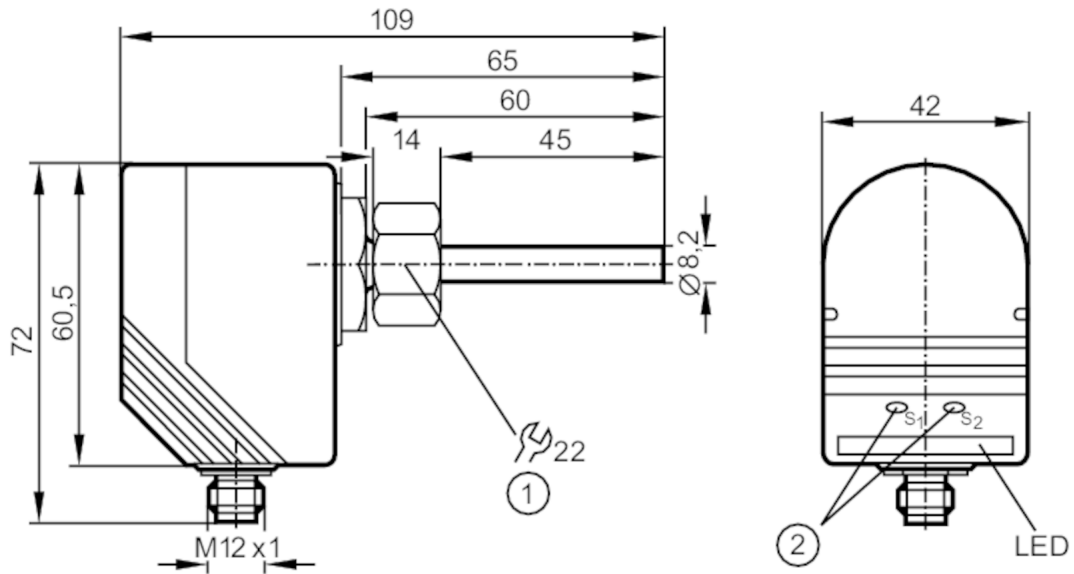
# SI1104



## Flow monitor

SID10ADT100G/US-100-IAZ

Article no longer available - archive entry



- 1 internal thread M18 x 1.5  
2 setting pushbuttons



### Product characteristics

Number of inputs and outputs	Number of analogue outputs: 1
Process connection	M18 x 1,5 internal thread

### Application

Media	Liquids; aggressive media
Medium temperature [°C]	-25...80
Pressure rating [bar]	300

### Liquids

Medium temperature [°C]	-25...80
-------------------------	----------

### Electrical data

Operating voltage [V]	20...36 DC; (according to EN 50178 SELV/PELV)
Current consumption [mA]	< 90; (without load)
Reverse polarity protection	yes
Power-on delay time [s]	15; (optically indicated)

### Inputs / outputs


Number of inputs and outputs	Number of analogue outputs: 1
------------------------------	-------------------------------

# SI1104



## Flow monitor

SID10ADT100G/US-100-IAZ

Outputs		
Total number of outputs		1
Output signal		analogue signal
Number of analogue outputs		1
Analogue current output	[mA]	4...20
Max. load	[Ω]	500
Overload protection		yes
Measuring/setting range		
Liquids		
Setting range	[cm/s]	3...60
Response times		
Liquids		
Response time	[s]	1...10
Liquids		
Response time	[s]	1...10
Operating conditions		
Ambient temperature	[°C]	-25...80
Protection		IP 67
Tests / approvals		
Shock resistance	DIN IEC 68-2-27	50 g (11 ms)
Vibration resistance	DIN EN 60068-2-6	20 g (55...2000 Hz)
Mechanical data		
Dimensions	[mm]	M18 x 1.5
Thread designation		M18 x 1.5
Materials		PBT-GF20
Materials (wetted parts)		titanium (3.7035); O-ring: FPM 8 x 1,5 gr 80° Shore A
Process connection		M18 x 1,5 internal thread
Displays / operating elements		
Display	function	10 x LED, 2-colour
Remarks		
Pack quantity		1 pcs.
Electrical connection		
Connector: 1 x M12		
		

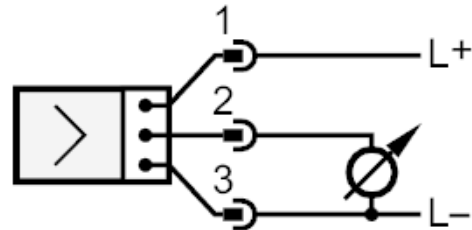
# SI1104

## Flow monitor

SID10ADT100G/US-100-IAZ



### Connection



Article no longer available - archive entry