

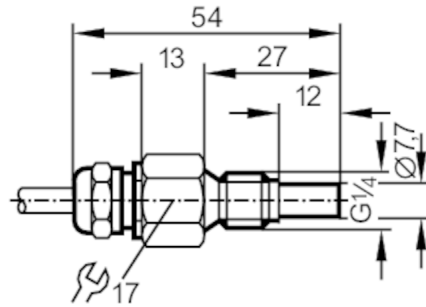
SF2201



Flow sensor for connection to an evaluation unit

SFR14ABB

Article no longer available - archive entry



Product characteristics

Process connection G 1/4 external thread

Application

Application high-temperature range
Media Liquids; Gases
Medium temperature [°C] -25...80
Pressure rating [bar] 30

Liquids

Application high-temperature range
Medium temperature [°C] -25...80

Gases

Medium temperature [°C] -25...80

Electrical data

Connection to control monitor VS 0200

Measuring/setting range

Liquids

Setting range [cm/s] 3...300
Greatest sensitivity [cm/s] 3...60

Gases

Setting range [cm/s] 200...2000
Greatest sensitivity [cm/s] 200...800

Accuracy / deviations

Temperature gradient [K/min] 15

Response times

Response time [s] 1...10

Liquids

Response time [s] 1...10

Gases

Response time [s] 1...10

SF2201

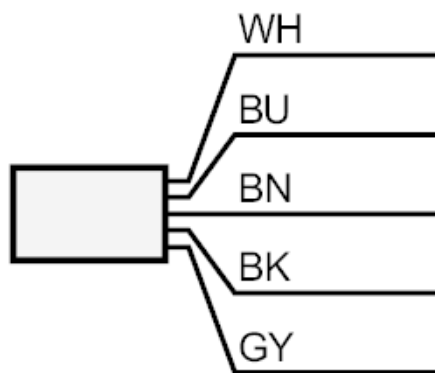


Flow sensor for connection to an evaluation unit

SFR14ABB

Operating conditions	
Protection	IP 67
Mechanical data	
Housing	threaded type
Materials	stainless steel (1.4571/316Ti)
Materials (wetted parts)	stainless steel (1.4571/316Ti)
Process connection	G 1/4 external thread
Accessories	
Items supplied	sealings: 2 x AMF 30
Remarks	
Pack quantity	1 pcs.
Electrical connection	
Cable: 6 m, PUR / PVC; 5 x 0.34 mm ²	

Connection



- Core colours :
- BN = brown
 - BU = blue
 - BK = black
 - WH = white
 - GY = grey