

SF2200



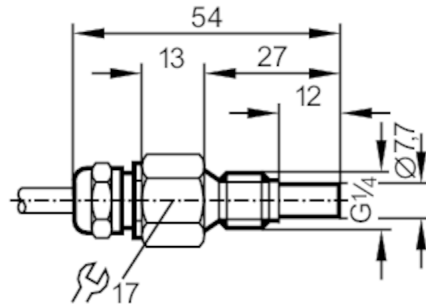
Flow sensor for connection to an evaluation unit

SFR14ABB

Article no longer available - archive entry

Alternative articles: SF5350 + E40099

When selecting an alternative article and accessories please note that technical data may differ!



Product characteristics

Process connection G 1/4 external thread

Application

Application high-temperature range

Media Liquids; Gases

Medium temperature [°C] -25...80

Pressure rating [bar] 30

Liquids

Application high-temperature range

Medium temperature [°C] -25...80

Gases

Medium temperature [°C] -25...80

Electrical data

Connection to control monitor VS 0200

Measuring/setting range

Liquids

Setting range [cm/s] 3...300

Greatest sensitivity [cm/s] 3...60

Gases

Setting range [cm/s] 200...2000

Greatest sensitivity [cm/s] 200...800

Accuracy / deviations

Temperature gradient [K/min] 15

Response times

Response time [s] 1...10

Liquids

Response time [s] 1...10

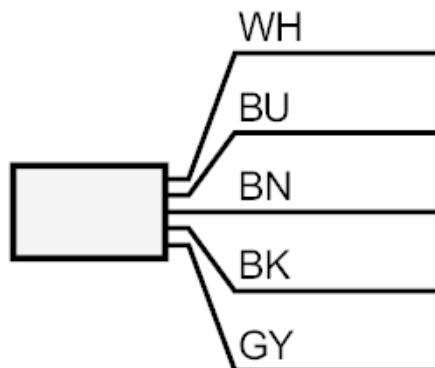
SF2200



Flow sensor for connection to an evaluation unit

SFR14ABB

Gases	
Response time	[s] 1...10
Operating conditions	
Protection	IP 67
Mechanical data	
Housing	threaded type
Materials	stainless steel (1.4571/316Ti)
Materials (wetted parts)	stainless steel (1.4571/316Ti)
Process connection	G 1/4 external thread
Accessories	
Items supplied	sealings: 2 x AMF 30
Remarks	
Pack quantity	1 pcs.
Electrical connection	
Cable: 2 m, PUR; Maximum cable length: 100 m; 5 x 0.34 mm ² , PVC	
Connection	



Core colours :

- BN = brown
- BU = blue
- BK = black
- WH = white
- GY = grey