

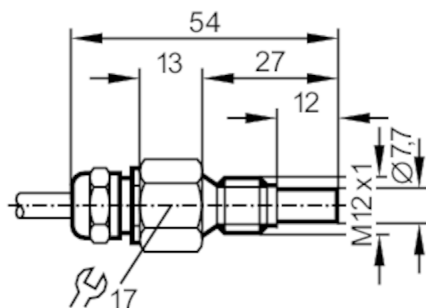
SF1301



Flow sensor for connection to an evaluation unit

SFM12ZBB/6M

Article no longer available - archive entry



Product characteristics

Process connection M12 x 1

Application

Application high-temperature range

Media Liquids; Gases

Pressure rating [bar]

30

Liquids

Application high-temperature range

Medium temperature [°C] 0...120

Gases

Medium temperature [°C] 0...100

Electrical data

Connection to control monitor VS 0200

Measuring/setting range

Liquids

Setting range [cm/s] 3...300

Greatest sensitivity [cm/s] 3...60

Gases

Setting range [cm/s] 200...2000

Greatest sensitivity [cm/s] 200...800

Accuracy / deviations

Temperature gradient [K/min] 15

Response times

Response time [s] 1...10

Liquids

Response time [s] 1...10

Gases

Response time [s] 1...10

Operating conditions

Protection IP 67

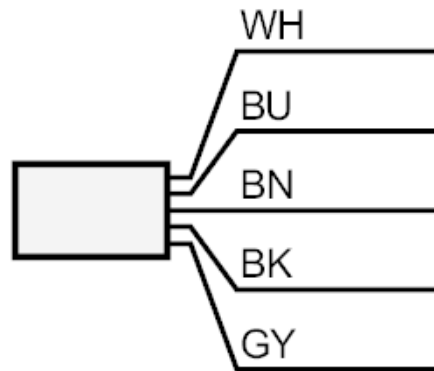
SF1301



Flow sensor for connection to an evaluation unit

SFM12ZBB/6M

Mechanical data	
Housing	threaded type
Dimensions [mm]	M12 x 1
Thread designation	M12 x 1
Materials	stainless steel (1.4571/316Ti)
Materials (wetted parts)	stainless steel (1.4571/316Ti)
Process connection	M12 x 1
Accessories	
Items supplied	sealings: 2 x AMF 30
Remarks	
Pack quantity	1 pcs.
Electrical connection	
Cable: 6 m; 5 x 0.34 mm ²	
Connection	



	Core colours :
BN =	brown
BU =	blue
BK =	black
WH =	white
GY =	grey