

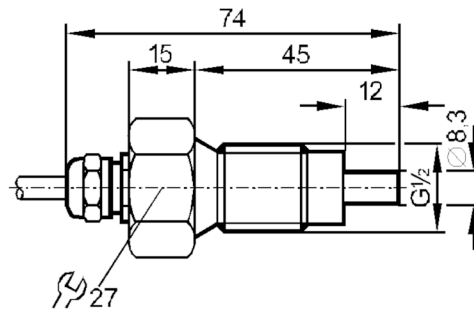
# SF0711



## Flow sensor for connection to an evaluation unit

SFR12AACE1

Article no longer available - archive entry



### Product characteristics

Process connection G 1/2 external thread

### Application

Application Ex zone 1

Medium temperature [°C] -25...80

Pressure rating [bar] 5

### Liquids

Application Ex zone 1

Medium temperature [°C] -25...80

### Electrical data

Connection to control monitor VS 0200 Exi

### Measuring/setting range

#### Liquids

Setting range [cm/s] 0...60

Greatest sensitivity [cm/s] 0...20

### Accuracy / deviations

Temperature gradient [K/min] 7

### Response times

Response time [s] 2...20

#### Liquids

Response time [s] 2...20

### Operating conditions

Protection IP 67

### Mechanical data

Housing threaded type

Materials PTFE

Materials (wetted parts) PTFE

Process connection G 1/2 external thread

### Remarks

Pack quantity 1 pcs.

# SF0711



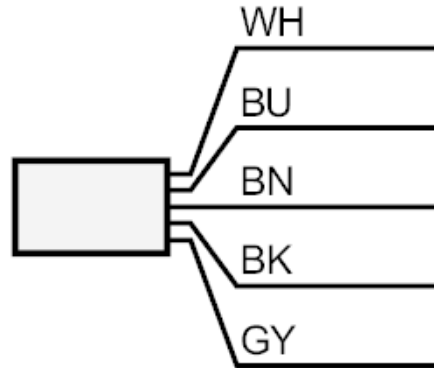
## Flow sensor for connection to an evaluation unit

SFR12AACE1

### Electrical connection

Cable: 2 m, TPE-S; Maximum cable length: 100 m; 5 x 0.34 mm<sup>2</sup>

### Connection



Core colours :

BN =	brown
BU =	blue
BK =	black
WH =	white
GY =	grey