

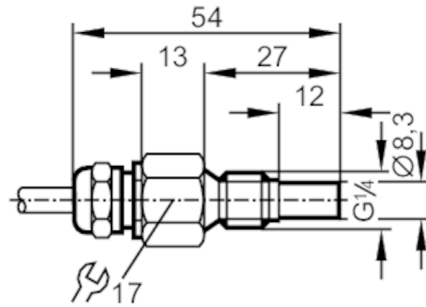
SF0707



Flow sensor for connection to an evaluation unit

SFR14AACE1

Article no longer available - archive entry



Product characteristics

Process connection G 1/4 external thread

Application

Application Ex zone 1

Medium temperature [°C] -25...80

Pressure rating [bar] 5

Liquids

Application Ex zone 1

Medium temperature [°C] -25...80

Electrical data

Connection to control monitor VS 0200 Exi

Measuring/setting range

Liquids

Setting range [cm/s] 0...60

Greatest sensitivity [cm/s] 0...20

Accuracy / deviations

Temperature gradient [K/min] 7

Response times

Response time [s] 2...20

Liquids

Response time [s] 2...20

Operating conditions

Protection IP 67

Mechanical data

Housing threaded type

Materials PTFE

Materials (wetted parts) PTFE

Process connection G 1/4 external thread

Remarks

Pack quantity 1 pcs.

SF0707



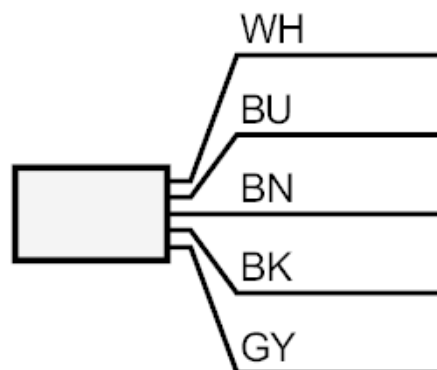
Flow sensor for connection to an evaluation unit

SFR14AAACE1

Electrical connection

Cable: 2 m, TPE-S; Maximum cable length: 100 m; 5 x 0.34 mm²

Connection



Core colours :

| | |
|------|-------|
| BN = | brown |
| BU = | blue |
| BK = | black |
| WH = | white |
| GY = | grey |