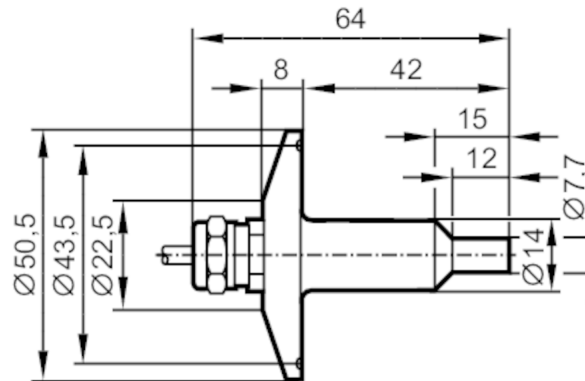


SF0516



Flow sensor for connection to an evaluation unit

SFG14ZBB/6M



Product characteristics		
Probe length L	[mm]	42
Process connection		Clamp DN25...DN40 (1...1,5") DIN 32676 (ISO 2852)
Application		
Application		high-temperature range; hygienic applications
Pressure rating	[bar]	30
Liquids		
Application		high-temperature range; hygienic applications
Medium temperature	[°C]	0...120
Gases		
Medium temperature	[°C]	0...100
Electrical data		
Connection to control monitor		VS3000
Measuring/setting range		
Probe length L	[mm]	42
Liquids		
Setting range	[cm/s]	3...300
Greatest sensitivity	[cm/s]	3...60
Gases		
Setting range	[cm/s]	200...2000
Greatest sensitivity	[cm/s]	200...800
Accuracy / deviations		
Temperature gradient	[K/min]	15
Response times		
Response time	[s]	1...10
Liquids		
Response time	[s]	1...10

SF0516

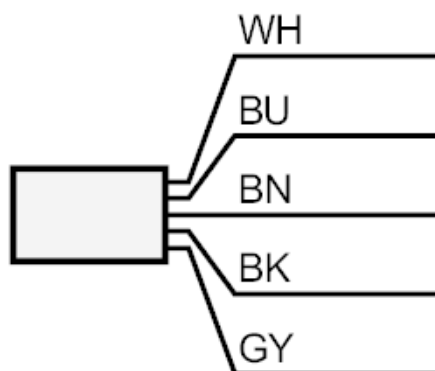


Flow sensor for connection to an evaluation unit

SFG14ZBB/6M

Gases		
Response time	[s]	1...10
Operating conditions		
Protection		IP 67
Tests / approvals		
Shock resistance	DIN IEC 68-2-27	40 g (11 ms)
Vibration resistance	DIN IEC 68-2-6	10 g (55...2000 Hz)
MTTF	[years]	8648
Mechanical data		
Weight	[g]	485
Materials		stainless steel (1.4571/316Ti)
Materials (wetted parts)		stainless steel (1.4571/316Ti)
Process connection		Clamp DN25...DN40 (1...1,5") DIN 32676 (ISO 2852)
Remarks		
Remarks		The 3-A qualification is only valid if adapters with 3-A qualification are used for installation.
Pack quantity		1 pcs.
Electrical connection		
Cable: 6 m, silicone; Maximum cable length: 100 m; 5 x 0.34 mm ²		

Connection



Core colours :

BN =	brown
BU =	blue
BK =	black
WH =	white
GY =	grey