

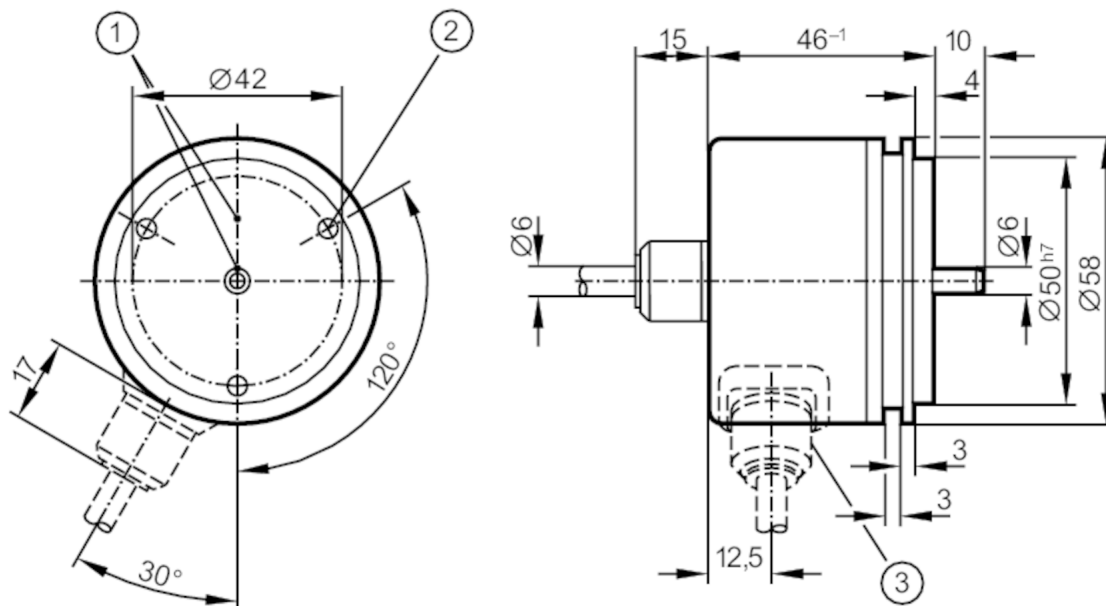
RU1039



Incremental encoder with solid shaft

RU-3000-I05/L2

Article no longer available - archive entry



- 1 reference mark
- 2 M4 Depth 5 mm



| Product characteristics | |
|-----------------------------------|-----------------|
| Resolution | 3000 resolution |
| Shaft design | solid shaft |
| Shaft diameter [mm] | 6 |
| Electrical data | |
| Operating voltage tolerance [%] | 10 |
| Operating voltage [V] | 5 DC |
| Current consumption [mA] | 150 |
| Outputs | |
| Electrical design | TTL |
| Max. current load per output [mA] | 20 |
| Switching frequency [kHz] | 300 |
| Phase difference A and B [°] | 90 |
| Measuring/setting range | |
| Resolution | 3000 resolution |
| Operating conditions | |
| Ambient temperature [°C] | -20...100 |
| Storage temperature [°C] | -30...100 |
| Max. relative air humidity [%] | 98 |
| Protection | IP 64 |

RU1039



Incremental encoder with solid shaft

RU-3000-I05/L2

| Tests / approvals | | |
|---|--|---------------------|
| Shock resistance | | 100 g (6 ms) |
| Vibration resistance | | 10 g (55...2000 Hz) |
| Mechanical data | | |
| Dimensions [mm] | | Ø 58 / L = 46 |
| Materials | | aluminium |
| Max. revolution, mechanical [U/min] | | 12000 |
| Max. starting torque [Nm] | | 1 |
| Reference temperature torque [°C] | | 20 |
| Shaft design | | solid shaft |
| Shaft diameter [mm] | | 6 |
| Shaft material | | steel (1.4104) |
| Max. shaft load axial (at the shaft end) [N] | | 10 |
| Max. shaft load radial (at the shaft end) [N] | | 20 |
| Fixing flange | | synchro-flange |

Electrical connection

Cable: 2 m, PUR; axial

| | |
|-------------|------------------|
| brown | A |
| green | A inverted |
| grey | B |
| pink | B inverted |
| red | 0 index |
| black | 0 index inverted |
| blue | L+ sensor |
| white | 0V sensor |
| brown/green | L+ (Up) |
| white/green | 0V (Un) |
| lilac | failure inverted |
| screen | housing |

Diagrams and graphs

| | |
|---------------|--|
| Pulse diagram | <p>Output A</p> <p>Output B</p> <p>0 index</p> |
|---------------|--|

Article no longer available - archive entry