

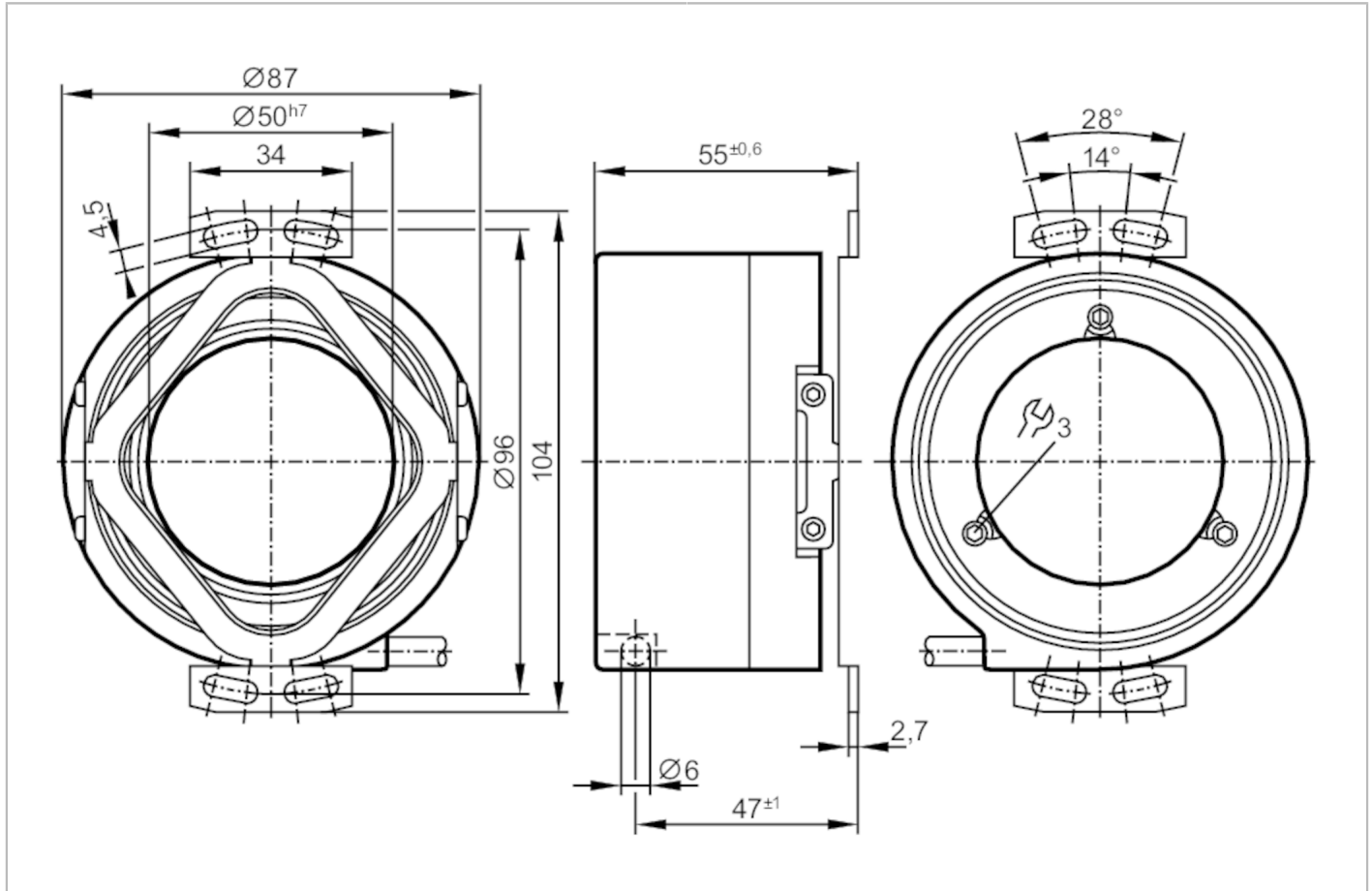
# RP6410



## Incremental encoder with hollow shaft

RP-1000-I24/N15

Article no longer available - archive entry



| Product characteristics           |                         |
|-----------------------------------|-------------------------|
| Resolution                        | 1000 resolution         |
| Shaft design                      | continuous hollow shaft |
| Shaft diameter [mm]               | 50                      |
| Application                       |                         |
| Function principle                | incremental             |
| Electrical data                   |                         |
| Operating voltage [V]             | 10...30 DC              |
| Current consumption [mA]          | < 150                   |
| Outputs                           |                         |
| Electrical design                 | HTL                     |
| Max. current load per output [mA] | 50                      |
| Switching frequency [kHz]         | 300                     |
| Phase difference A and B [°]      | 90                      |
| Measuring/setting range           |                         |
| Resolution                        | 1000 resolution         |

# RP6410



## Incremental encoder with hollow shaft

RP-1000-I24/N15

| Operating conditions           |                                                                                      |
|--------------------------------|--------------------------------------------------------------------------------------|
| Ambient temperature [°C]       | -30...65                                                                             |
| Note on ambient temperature    | higher temperature upon request<br>for the diagram see the installation instructions |
| Max. relative air humidity [%] | 75; (briefly: 95 %; condensation not permissible)                                    |
| Protection                     | IP 64                                                                                |

| Tests / approvals    |                     |
|----------------------|---------------------|
| Shock resistance     | 100 g (6 ms)        |
| Vibration resistance | 10 g (55...2000 Hz) |

| Mechanical data                     |                                                                                                            |
|-------------------------------------|------------------------------------------------------------------------------------------------------------|
| Weight [g]                          | 946.8                                                                                                      |
| Dimensions [mm]                     | Ø 87 / L = 55                                                                                              |
| Materials                           | aluminium                                                                                                  |
| Max. revolution, mechanical [U/min] | 4000                                                                                                       |
| Max. starting torque [Nm]           | 20                                                                                                         |
| Reference temperature torque [°C]   | 20                                                                                                         |
| Shaft design                        | continuous hollow shaft                                                                                    |
| Shaft diameter [mm]                 | 50                                                                                                         |
| Shaft fit                           | H7                                                                                                         |
| Shaft material                      | steel (1.4104)                                                                                             |
| Max. axial shaft misalignment [mm]  | 1,5; (Only to compensate for installation tolerances and thermal expansion.; No dynamic movement allowed.) |

### Electrical connection

Cable: 1 m, PUR; radial

|             |                  |
|-------------|------------------|
| brown       | A                |
| green       | A inverted       |
| grey        | B                |
| pink        | B inverted       |
| red         | 0 index          |
| black       | 0 index inverted |
| blue        | 10...30V sensor  |
| white       | 0V sensor        |
| brown/green | 10...30V (Up)    |
| white/green | 0V (Un)          |
| lilac       | failure inverted |
| screen      | housing          |

# RP6410

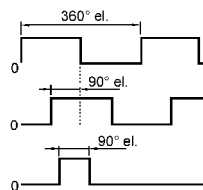


## Incremental encoder with hollow shaft

RP-1000-I24/N15

### Diagrams and graphs

Pulse diagram



Output A

Output B

0 index