

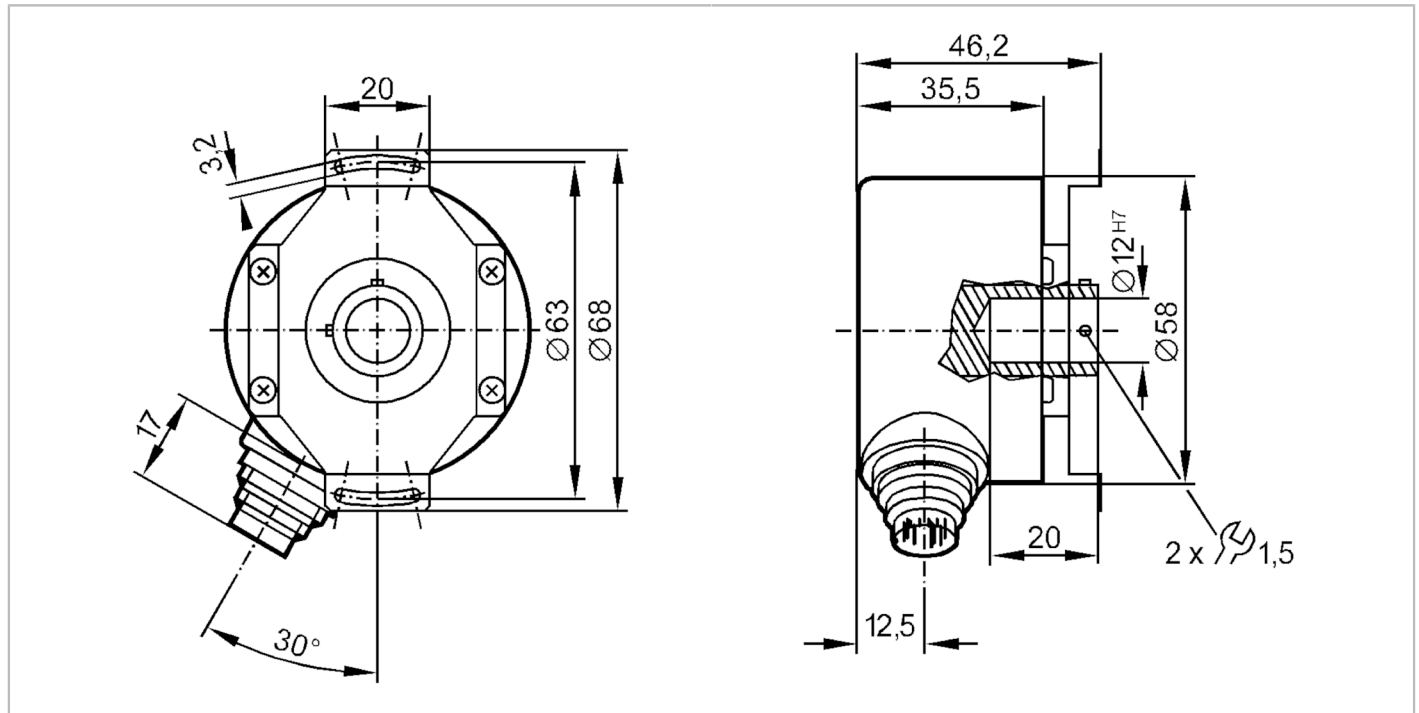
RO6354



Incremental encoder with hollow shaft

RO-0050-I24/T U

Article no longer available - archive entry



Product characteristics

Resolution	50 resolution
Shaft design	hollow shaft open to one side
Shaft diameter [mm]	12

Electrical data

Operating voltage [V]	10...30 DC
Current consumption [mA]	< 200

Outputs

Electrical design	HTL
Max. current load per output [mA]	20
Switching frequency [kHz]	160
Type of short-circuit protection	< 60 s
Phase difference A and B [°]	90

Measuring/setting range

Resolution	50 resolution
------------	---------------

Operating conditions

Ambient temperature [°C]	-30...95
Note on ambient temperature	Up < 18 V: -30...100 °C
Storage temperature [°C]	-30...100
Max. relative air humidity [%]	98
Protection	IP 64

RO6354



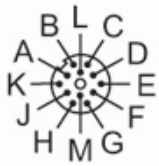
Incremental encoder with hollow shaft

RO-0050-I24/T U

Tests / approvals	
Shock resistance	100 g (6 ms)
Vibration resistance	10 g (55...2000 Hz)
Mechanical data	
Dimensions [mm]	Ø 58 / L = 46.2
Materials	aluminium
Max. revolution, mechanical [U/min]	12000
Max. starting torque [Nm]	2.5
Reference temperature torque [°C]	20
Shaft design	hollow shaft open to one side
Shaft diameter [mm]	12
Shaft fit	H7
Shaft material	stainless steel
Installation depth of shaft [mm]	10
Max. axial shaft misalignment [mm]	1; (max. radial shaft alignment: ± 0,05 mm)

Electrical connection

Connector: 1 x M18, radial



A	B inverted
B	Ub sensor
C	0 index
D	0 index inverted
E	A
F	A inverted
G	failure inverted
H	B
K	0V Un
L	0V sensor
M	L+ Up
screen	housing

RO6354

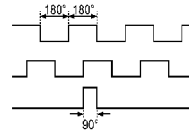


Incremental encoder with hollow shaft

RO-0050-I24/T U

Diagrams and graphs

Pulse diagram



Output A

Output B

0 index