

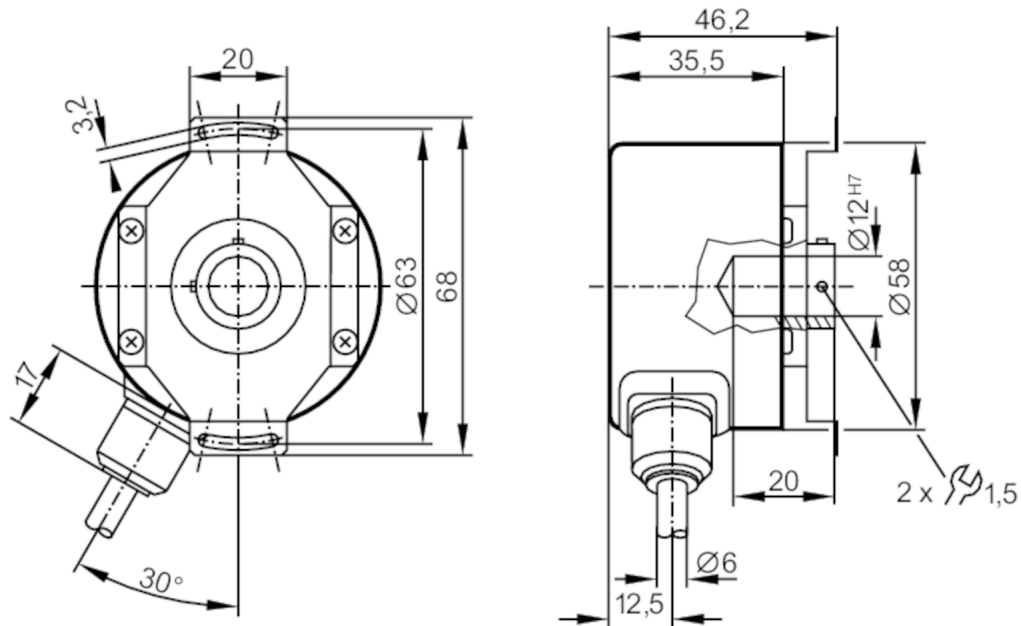
RO1365



Incremental encoder with hollow shaft

RO-2500-I05/N1U

Article no longer available - archive entry



Product characteristics

| | |
|---------------------|-------------------------------|
| Resolution | 2500 resolution |
| Shaft design | hollow shaft open to one side |
| Shaft diameter [mm] | 12 |

Electrical data

| | |
|---------------------------------|-------|
| Operating voltage tolerance [%] | 10 |
| Operating voltage [V] | 5 DC |
| Current consumption [mA] | < 150 |

Outputs

| | |
|-----------------------------------|-----|
| Electrical design | TTL |
| Max. current load per output [mA] | 20 |
| Switching frequency [kHz] | 300 |
| Phase difference A and B [°] | 90 |

Measuring/setting range

| | |
|------------|-----------------|
| Resolution | 2500 resolution |
|------------|-----------------|

Operating conditions

| | |
|--------------------------------|-----------|
| Ambient temperature [°C] | -30...100 |
| Storage temperature [°C] | -30...100 |
| Max. relative air humidity [%] | 98 |
| Protection | IP 64 |

RO1365



Incremental encoder with hollow shaft

RO-2500-I05/N1U

| Tests / approvals | | |
|-------------------------------------|--|---|
| Shock resistance | | 100 g (6 ms) |
| Vibration resistance | | 10 g (55...2000 Hz) |
| Mechanical data | | |
| Dimensions [mm] | | Ø 58 / L = 35.5 |
| Materials | | aluminium |
| Max. revolution, mechanical [U/min] | | 12000 |
| Max. starting torque [Nm] | | 2.5 |
| Reference temperature torque [°C] | | 20 |
| Shaft design | | hollow shaft open to one side |
| Shaft diameter [mm] | | 12 |
| Shaft fit | | H7 |
| Shaft material | | stainless steel |
| Installation depth of shaft [mm] | | 10 |
| Max. axial shaft misalignment [mm] | | 1; (max. radial shaft alignment: ± 0,05 mm) |

Electrical connection

Cable: 1 m, PUR; radial

| | |
|-------------|------------------|
| brown | A |
| green | A inverted |
| grey | B |
| pink | B inverted |
| red | 0 index |
| black | 0 index inverted |
| blue | L+ sensor |
| white | 0V sensor |
| brown/green | L+ (Up) |
| white/green | 0V (Un) |
| lilac | failure inverted |
| screen | housing |

Diagrams and graphs

| Pulse diagram | |
|---------------|--|
| | |
| | <p>Output A</p> <p>Output B</p> <p>0 index</p> |