

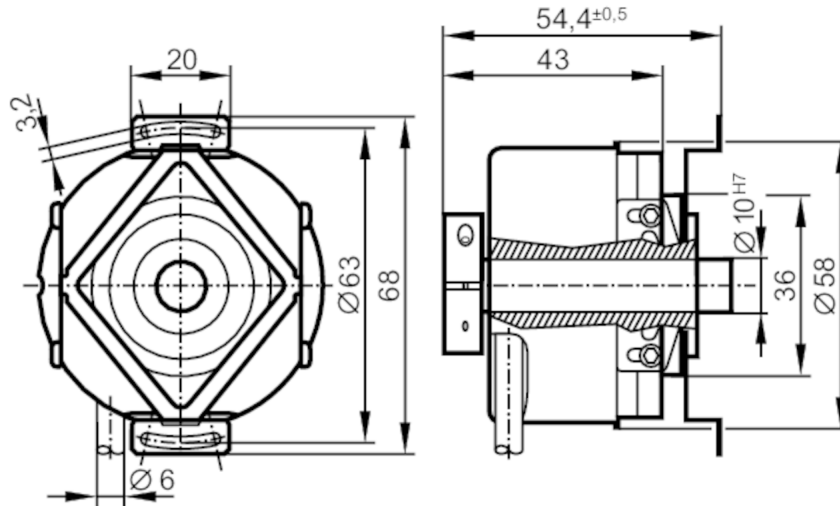
RO1337



Incremental encoder with hollow shaft

RO-2048-I05/N11

Article no longer available - archive entry



Product characteristics

Resolution	2048 resolution
Shaft design	continuous hollow shaft
Shaft diameter [mm]	10

Electrical data

Operating voltage tolerance [%]	10
Operating voltage [V]	5 DC
Current consumption [mA]	< 150

Outputs

Electrical design	TTL
Max. current load per output [mA]	20
Switching frequency [kHz]	300
Phase difference A and B [°]	90

Measuring/setting range

Resolution	2048 resolution
------------	-----------------

Operating conditions

Ambient temperature [°C]	-30...100
Max. relative air humidity [%]	98
Protection	IP 64; (on the housing: IP 66; on the shaft: IP 64)

Tests / approvals

Shock resistance	200 g
Vibration resistance	30 g
MTTF [years]	190

RO1337



Incremental encoder with hollow shaft

RO-2048-I05/N11

Mechanical data		
Weight	[g]	460
Dimensions	[mm]	Ø 58 / L = 54.4
Materials		aluminium
Max. revolution, mechanical	[U/min]	12000; (when using both shaft clamping rings)
Max. starting torque	[Nm]	2.5
Reference temperature torque	[°C]	20
Shaft design		continuous hollow shaft
Shaft diameter	[mm]	10
Shaft fit		H7
Shaft material		stainless steel
Installation depth of shaft	[mm]	10
Max. axial shaft misalignment	[mm]	1; (max. radial shaft alignment: ± 0,05 mm)

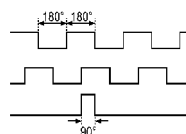
Electrical connection

Cable: 1 m, PUR; radial, can also be used axially

brown	A
green	A inverted
grey	B
pink	B inverted
red	0 index
black	0 index inverted
blue	L+ sensor
white	0V sensor
brown/green	L+ (Up)
white/green	0V (Un)
lilac	failure inverted
screen	housing

Diagrams and graphs

Pulse diagram



Output A
Output B
0 index