

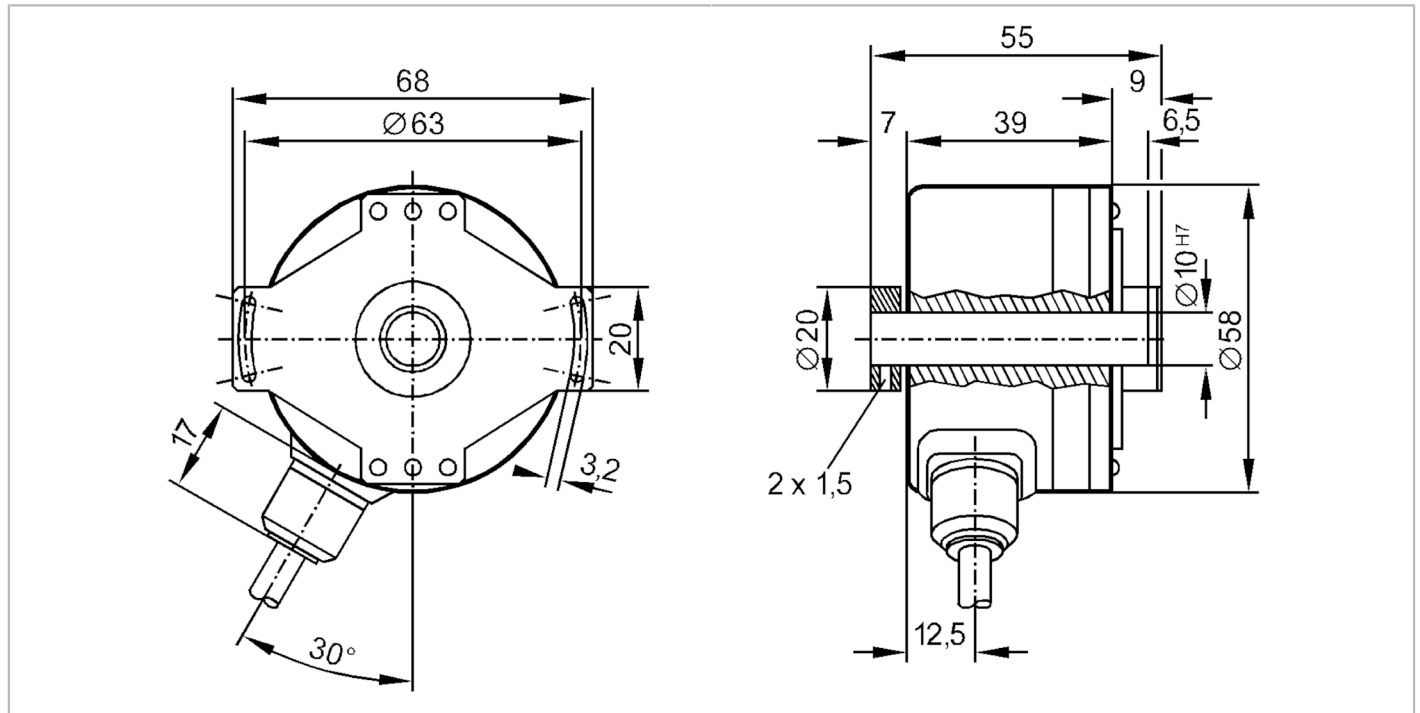
# RO1305



## Incremental encoder with hollow shaft

RO-0100-I05/N11

Article no longer available - archive entry



### Product characteristics

Resolution	100 resolution
Shaft design	continuous hollow shaft
Shaft diameter [mm]	10

### Electrical data

Operating voltage tolerance [%]	10
Operating voltage [V]	5 DC
Current consumption [mA]	< 150

### Outputs

Electrical design	TTL
Max. current load per output [mA]	20
Switching frequency [kHz]	300
Phase difference A and B [°]	90

### Measuring/setting range

Resolution	100 resolution
------------	----------------

### Operating conditions

Ambient temperature [°C]	-30...100
Storage temperature [°C]	-30...100
Max. relative air humidity [%]	98
Protection	IP 64

# RO1305



## Incremental encoder with hollow shaft

RO-0100-I05/N11

Tests / approvals		
Shock resistance		100 g (6 ms)
Vibration resistance		10 g (55...2000 Hz)
Mechanical data		
Dimensions [mm]		Ø 58 / L = 55
Materials		aluminium
Max. revolution, mechanical [U/min]		12000
Max. starting torque [Nm]		2.5
Reference temperature torque [°C]		20
Shaft design		continuous hollow shaft
Shaft diameter [mm]		10
Shaft fit		H7
Shaft material		stainless steel
Installation depth of shaft [mm]		10
Max. axial shaft misalignment [mm]		1; (max. radial shaft alignment: ± 0,05 mm)

### Electrical connection

Cable: 1 m, PUR; radial

brown	A
green	A inverted
grey	B
pink	B inverted
red	0 index
black	0 index inverted
blue	L+ sensor
white	0V sensor
brown/green	L+ (Up)
white/green	0V (Un)
lilac	failure inverted
screen	housing

### Diagrams and graphs

Pulse diagram	<p>Output A Output B 0 index</p>
---------------	--