

PF2656



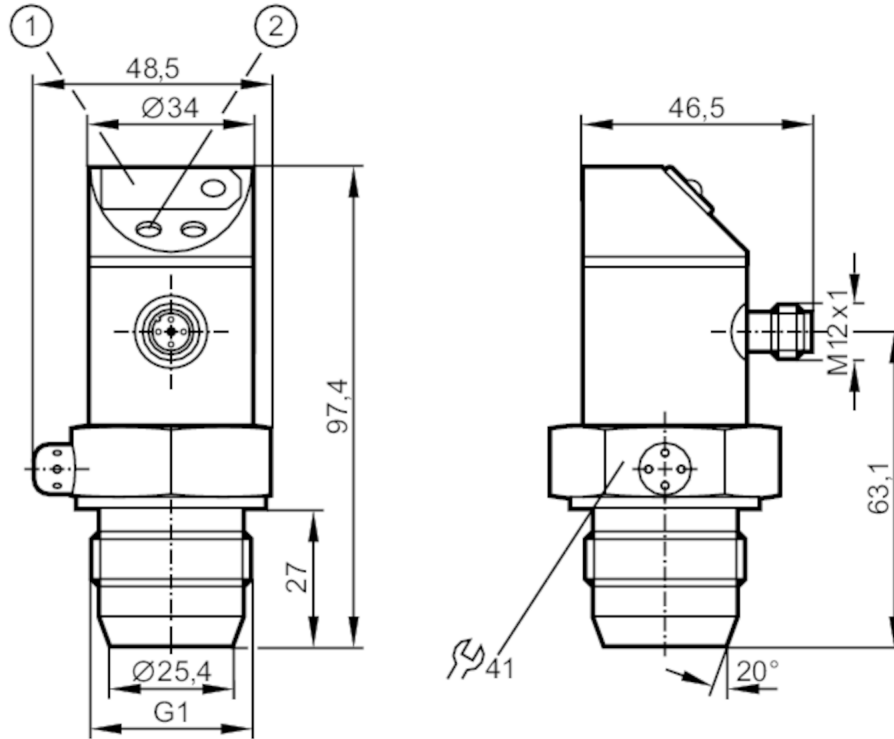
Flush pressure sensor

PF-2,5-REA01-MFRKG/US/ IP

Article no longer available - archive entry

Alternative articles: PI2896 or PI2796

When selecting an alternative article and accessories please note that technical data may differ!



- 1 7-segment LED display
- 2 programming button



Product characteristics

Number of inputs and outputs	Number of digital outputs: 2; Number of analogue outputs: 1			
Measuring range	-0.13...2.5 bar	-130...2500 mbar	-1.8...36.3 psi	-13...250 kPa
Process connection	threaded connection G 1 external thread sealing cone			

Application

Special feature	Gold-plated contacts		
Application	flush mountable for the food and beverage industry		
Installation	freely rotatable housing 350°		
Media	viscous media and liquids with suspended particles; liquids and gases		
Medium temperature [°C]	-25...80		
Min. bursting pressure	50 bar	725 psi	5000 kPa
Pressure rating	20 bar	290 psi	2000 kPa
Type of pressure	relative pressure		
No dead space	yes		

PF2656



Flush pressure sensor

PF-2,5-REA01-MFRKG/US/ IP

Electrical data	
Operating voltage [V]	20...30 DC
Current consumption [mA]	< 60
Min. insulation resistance [MΩ]	100; (500 V DC)
Protection class	III
Reverse polarity protection	yes
Power-on delay time [s]	0.2
Integrated watchdog	yes

Inputs / outputs	
Number of inputs and outputs	Number of digital outputs: 2; Number of analogue outputs: 1

Outputs	
Total number of outputs	2
Output signal	switching signal; analogue signal; (configurable)
Electrical design	PNP/NPN
Number of digital outputs	2
Output function	normally open / normally closed; (parameterisable)
Max. voltage drop switching output DC [V]	2
Permanent current rating of switching output DC [mA]	250
Switching frequency DC [Hz]	< 170
Number of analogue outputs	1
Analogue current output [mA]	4...20; (scalable 1:4)
Max. load [Ω]	(U _b - 10 V) / 20 mA
Analogue voltage output [V]	0...10; (scalable 1:4)
Min. load resistance [Ω]	2000
Short-circuit protection	yes
Type of short-circuit protection	pulsed
Overload protection	yes

Measuring/setting range				
Measuring range	-0.13...2.5 bar	-130...2500 mbar	-1.8...36.3 psi	-13...250 kPa
Set point SP	-0.11...2.5 bar		-1.6...36.3 psi	-11...250 kPa
Reset point rP	-0.12...2.49 bar		-1.7...36.2 psi	-12...249 kPa
Analogue start point	-0.13...1.88 bar		-1.8...27.2 psi	-13...188 kPa
Analogue end point	0.5...2.5 bar		7.3...36.3 psi	50...250 kPa
In steps of	0.01 bar		0.1 psi	1 kPa
Factory setting			SP1 = 0.63 bar	rP1 = 0.58 bar
			ASP = 0.00 bar	AEP = 2.50 bar

Accuracy / deviations	
Repeatability [% of the span]	< ± 0,1; (with temperature fluctuations < 10 K; Turn down 1:1)
Characteristics deviation [% of the span]	< ± 0,6; (Turn down 1:1, linearity, incl. hysteresis and repeatability, limit value setting to DIN EN IEC 62828-1)
Linearity deviation [% of the span]	< ± 0,5; (Turn down 1:1)
Hysteresis deviation	< ± 0,1; (Turn down 1:1)

PF2656



Flush pressure sensor

PF-2,5-REA01-MFRKG/US/ IP

	[% of the span]	
Long-term stability	[% of the span]	< ± 0,1; (Turn down 1:1; per year)
Temperature coefficient zero point	[% of the span / 10 K]	< ± 0,1; (0...80 °C)
Temperature coefficient span	[% of the span / 10 K]	< ± 0,2; (0...80 °C)

Response times

Response time	[ms]	< 3
Damping for the switching output dAP	[s]	0...4
Damping for the analogue output dAA in steps	[s]	0 - 0,1 - 0,5 - 2
Max. response time analogue output	[ms]	3

Software / programming

Parameter setting options	hysteresis / window; normally open / normally closed; switching logic; current/voltage output; Damping; adaptation of displayed values; display can be rotated and switched off; Display unit; zero point; span
---------------------------	---

Operating conditions

Ambient temperature	[°C]	-25...80
Storage temperature	[°C]	-40...100
Protection		IP 67

Tests / approvals

EMC	EN 61000-4-2 ESD	4 kV CD / 8 kV AD
	EN 61000-4-3 HF radiated	10 V/m
	EN 61000-4-4 Burst	2 kV
	EN 61000-4-6 HF conducted	10 V
Shock resistance	DIN IEC 68-2-27	50 g (11 ms)
Vibration resistance	DIN IEC 68-2-6	20 g (10...2000 Hz)

Mechanical data

Weight	[g]	373.6
Materials		stainless steel (1.4404 / 316L); PBT; PC; PEI; EPDM/X; FKM
Materials (wetted parts)		ceramics (99.9 % Al ₂ O ₃); stainless steel (1.4435 / 316L); surface characteristics: Ra < 0,4 / Rz 4; PTFE
Min. pressure cycles		100 million
Process connection		threaded connection G 1 external thread sealing cone

Displays / operating elements

Display	switching status	2 x LED, red
	function display	7-segment LED display
	measured values	7-segment LED display
Display unit		bar; psi; kPa

Remarks

Remarks	The 3-A qualification is only valid if adapters with 3-A qualification are used for installation.
Pack quantity	1 pcs.

PF2656



Flush pressure sensor

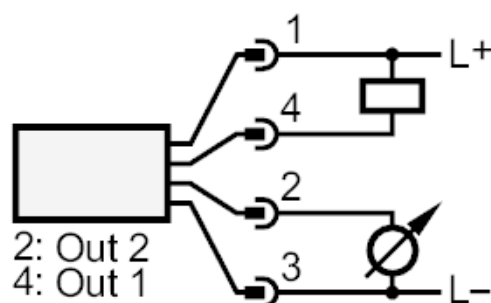
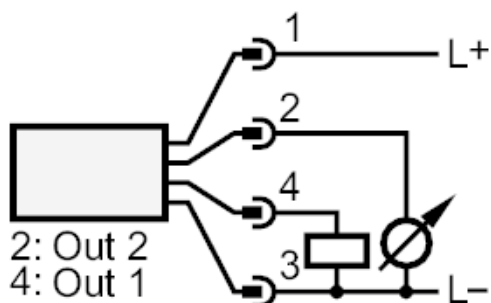
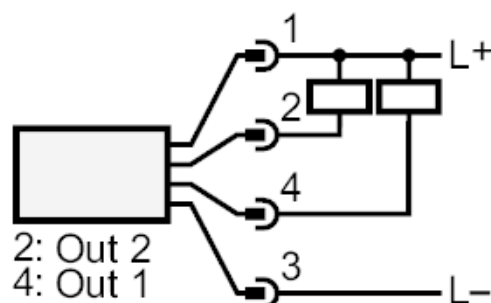
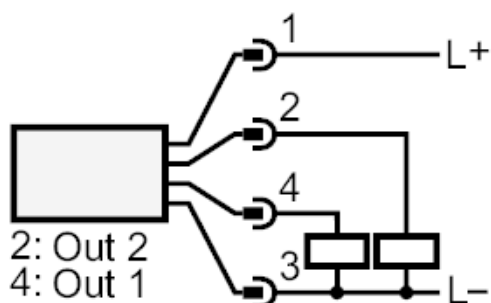
PF-2,5-REA01-MFRKG/US/ IP

Electrical connection

Connector: 1 x M12; Contacts: gold-plated



Connection



- OUT1 switching output
- OUT2 switching output
- analogue output