



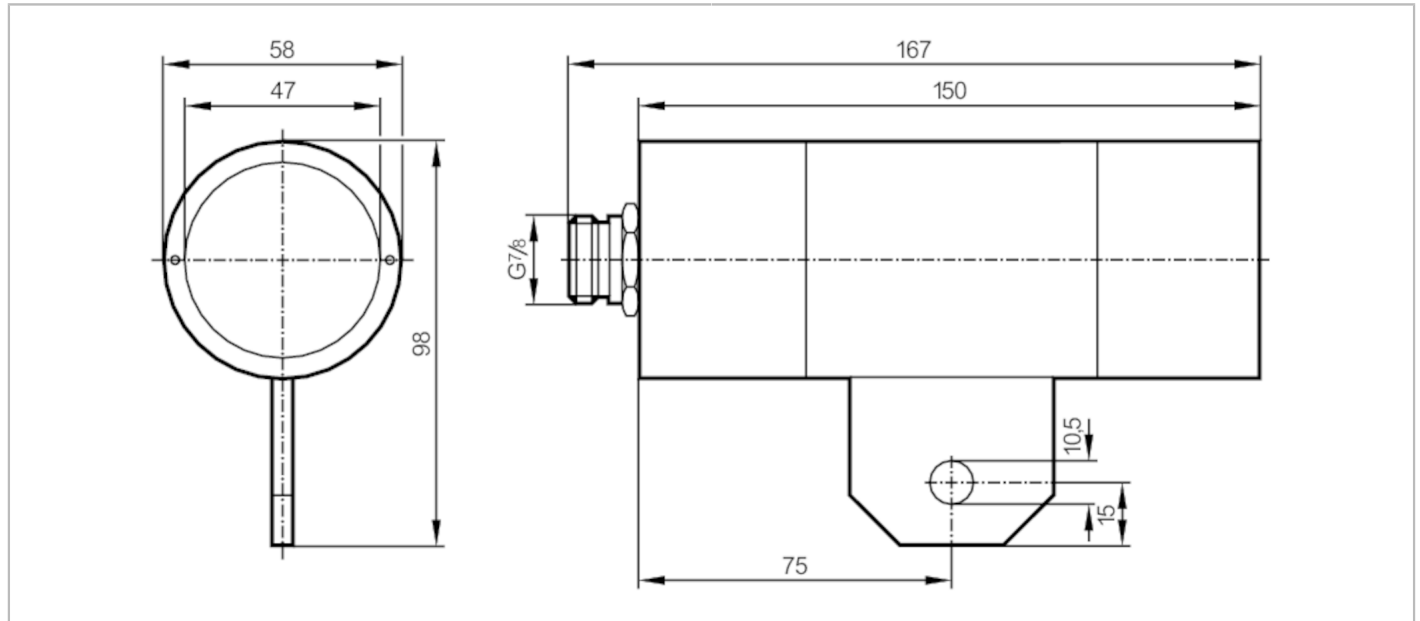
Infrared temperature sensor

OWS-3520-ABOA

Article no longer available - archive entry

Alternative articles: TW7001 + E35065

When selecting an alternative article and accessories please note that technical data may differ!



Product characteristics	
Housing	cylindrical
Dimensions [mm]	Ø 58 / L = 150
Electrical data	
Operating voltage [V]	20...250 AC/DC
Reverse polarity protection	no
Outputs	
Max. voltage drop switching output DC [V]	10.5
Max. voltage drop switching output AC [V]	10.5
Minimum load current [mA]	15
Max. leakage current [mA]	7
Permanent current rating of switching output AC [mA]	200; (250 (...50 °C))
Permanent current rating of switching output DC [mA]	50
Short-time current rating of switching output [mA]	1500; (10 ms / 0,5 Hz)
Switching frequency AC [Hz]	20
Switching frequency DC [Hz]	25
Short-circuit proof	no
Overload protection	no

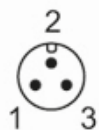


Infrared temperature sensor

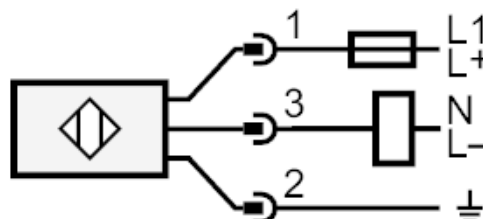
OWS-3520-ABOA

Detection zone		
Detection range hysteresis	[%]	1...15
Operating conditions		
Ambient temperature	[°C]	-20...60
Protection		IP 65
Tests / approvals		
EMC	EN 60947-5-2	class B
	EN 55011	
Mechanical data		
Housing		cylindrical
Dimensions	[mm]	Ø 58 / L = 150
Materials		brass white bronze coated
Lens material		glass
Displays / operating elements		
Display	switching status	1 x LED, yellow
Remarks		
Remarks	Recommendation: Check the safe functioning of the unit after a short circuit.	
Pack quantity		1 pcs.
Electrical connection		

Connector: 1 x 7/8"



Connection



Note : miniature fuse to IEC60127-2 sheet 1 ≤ 2 A fast acting