



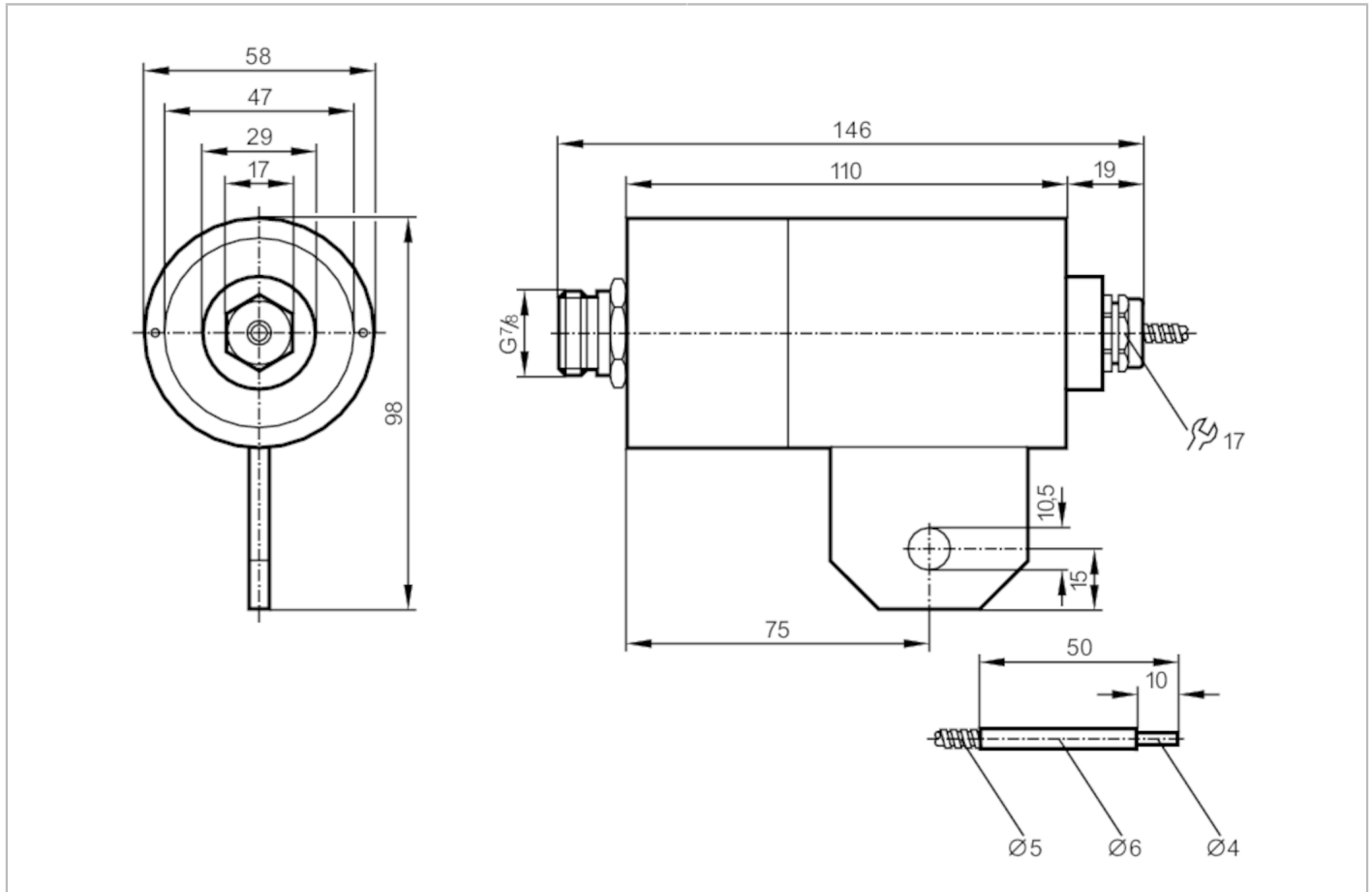
Infrared temperature sensor

OWF-9000-ABOA

Article no longer available - archive entry

Alternative articles: TW7011 + E35061 + E35065

When selecting an alternative article and accessories please note that technical data may differ!



Product characteristics

| | |
|---------|-------------|
| Housing | cylindrical |
|---------|-------------|

Electrical data

| | |
|-----------------------------|----------------|
| Operating voltage [V] | 20...250 AC/DC |
| Reverse polarity protection | no |

Outputs

| | |
|--|-----------------------|
| Max. voltage drop switching output DC [V] | 10.5 |
| Max. voltage drop switching output AC [V] | 10.5 |
| Minimum load current [mA] | 15 |
| Max. leakage current [mA] | 7 |
| Permanent current rating of switching output AC [mA] | 200; (250 (...50 °C)) |
| Permanent current rating of switching output DC [mA] | 50 |

OW0002



Infrared temperature sensor

OWF-9000-ABOA

| | | |
|---|------|------------------------|
| Short-time current rating of switching output | [mA] | 1500; (10 ms / 0,5 Hz) |
| Switching frequency AC | [Hz] | 20 |
| Switching frequency DC | [Hz] | 25 |
| Short-circuit proof | | no |
| Overload protection | | no |

Detection zone

| | | |
|----------------------------|-----|--------|
| Detection range hysteresis | [%] | 1...15 |
|----------------------------|-----|--------|

Operating conditions

| | | |
|---------------------|------|----------|
| Ambient temperature | [°C] | -20...60 |
| Protection | | IP 65 |

Tests / approvals

| | | |
|-----|--------------|---------|
| EMC | EN 60947-5-2 | |
| | EN 55011 | class B |

Mechanical data

| | | |
|---------------|------|------------------------------------|
| Housing | | cylindrical |
| Dimensions | [mm] | Ø 58 / L = 129 |
| Materials | | housing: brass white bronze coated |
| Lens material | | glass |

Displays / operating elements

| | | |
|---------|------------------|-----------------|
| Display | switching status | 1 x LED, yellow |
|---------|------------------|-----------------|

Accessories

| | |
|----------------|---------------------------------------|
| Items supplied | Fibre optics with aluminium sheathing |
|----------------|---------------------------------------|

Remarks

| | |
|---------------|---|
| Remarks | Recommendation: Check the safe functioning of the unit after a short circuit. |
| Pack quantity | 1 pcs. |

Electrical connection

Connector: 1 x 7/8"



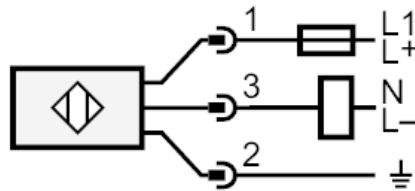
OW0002



Infrared temperature sensor

OWF-9000-ABOA

Connection



Note : miniature fuse to IEC60127-2 sheet 1 \leq 2 A fast acting