

# OW0001

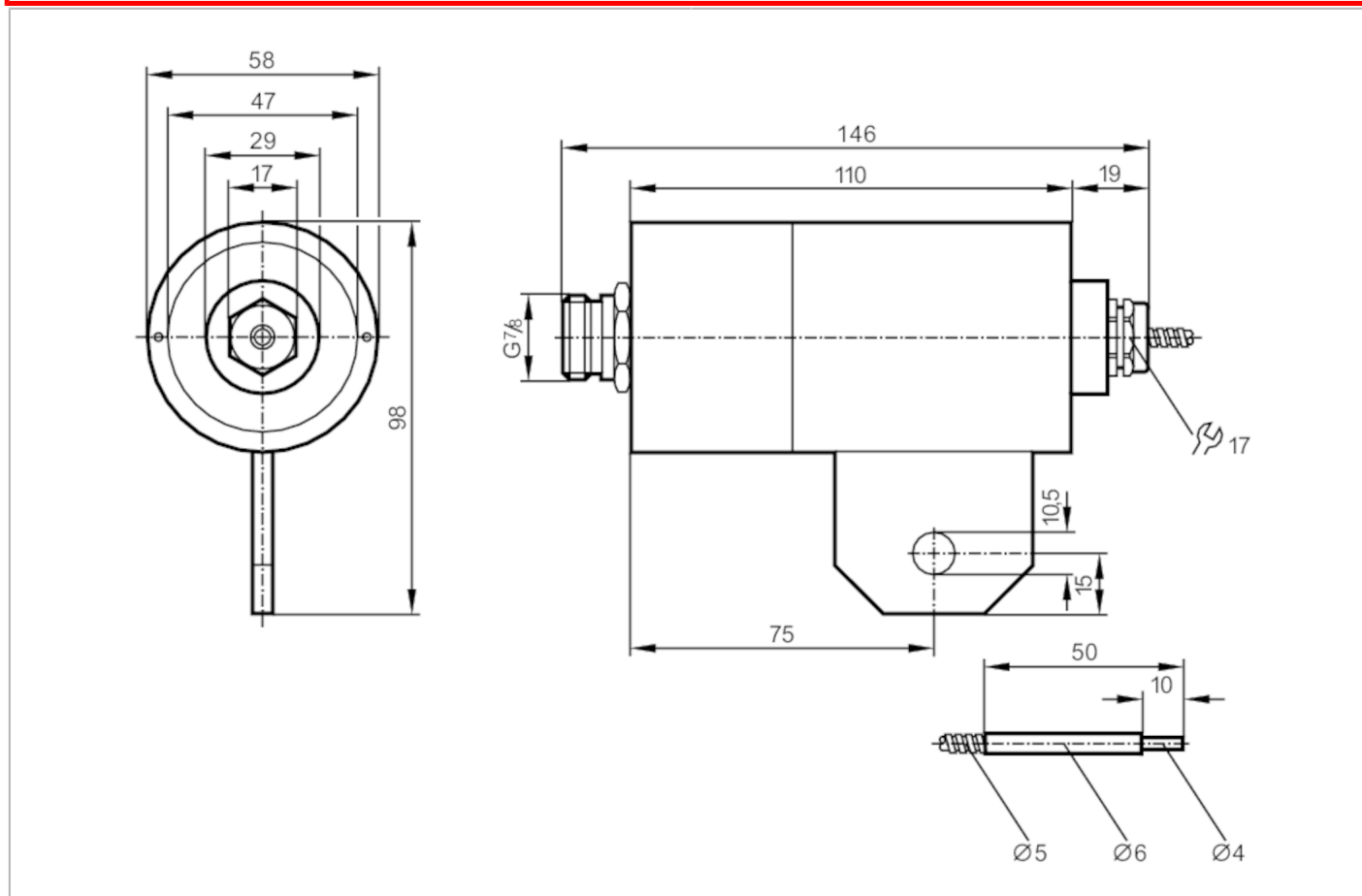


## Infrared temperature sensor

OWF-5000-ABOA

Article no longer available - archive entry

replaced by: TW7011 + E35061 + E35065



### Product characteristics

|            |      |                |
|------------|------|----------------|
| Housing    |      | cylindrical    |
| Dimensions | [mm] | Ø 58 / L = 129 |

### Electrical data

|                             |     |                |
|-----------------------------|-----|----------------|
| Operating voltage           | [V] | 20...250 AC/DC |
| Reverse polarity protection |     | no             |

# OW0001



## Infrared temperature sensor

OWF-5000-ABOA

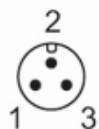
| Outputs   |                  |   |
|---|------------------|---|
| Max. voltage drop switching output DC           | [V]              | 10.5  |
| Max. voltage drop switching output AC           | [V]              | 10.5  |
| Minimum load current                            | [mA]             | 15  |
| Max. leakage current                            | [mA]             | 7   |
| Permanent current rating of switching output AC | [mA]             | 200; (250 (...50 °C))   |
| Permanent current rating of switching output DC | [mA]             | 50  |
| Short-time current rating of switching output   | [mA]             | 1500; (10 ms / 0,5 Hz)  |
| Switching frequency AC                          | [Hz]             | 20  |
| Switching frequency DC                          | [Hz]             | 25  |
| Short-circuit proof                             |                  | no  |
| Overload protection                             |                  | no  |
| Detection zone                                  |                  |   |
| Detection range hysteresis                      | [%]              | 1...15  |
| Operating conditions                            |                  |   |
| Ambient temperature                             | [°C]             | -20...60  |
| Protection                                      |                  | IP 65   |
| Tests / approvals                               |                  |   |
| EMC   | EN 60947-5-2     |   |
|   | EN 55011         | class B   |
| MTTF  | [years]          | 609   |
| Mechanical data                                 |                  |   |
| Housing   |                  | cylindrical   |
| Dimensions                                      | [mm]             | Ø 58 / L = 129  |
| Materials                                       |                  | brass white bronze coated   |
| Lens material                                   |                  | glass   |
| Displays / operating elements                   |                  |   |
| Display   | switching status | 1 x LED, yellow   |
| Accessories                                     |                  |   |
| Accessories (supplied)                          |                  | Fibre optics with aluminium sheathing   |
| Remarks   |                  |   |
| Remarks   |                  | Recommendation: Check the safe functioning of the unit after a short circuit. |
| Pack quantity                                   |                  | 1 pcs.  |
| Electrical connection                           |                  |   |
| Connector: 1 x 7/8"                             |                  |   |

# OW0001

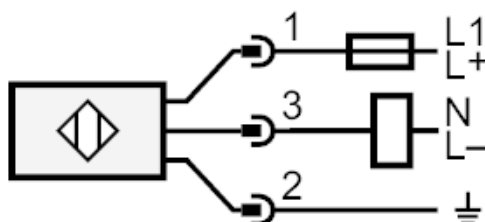


## Infrared temperature sensor

OWF-5000-ABOA



### Connection



Note : miniature fuse to IEC60127-2 sheet 1  $\leq$  2 A fast acting

Article no longer available - archive entry

replaced by: TW7011 + E35061 + E35065