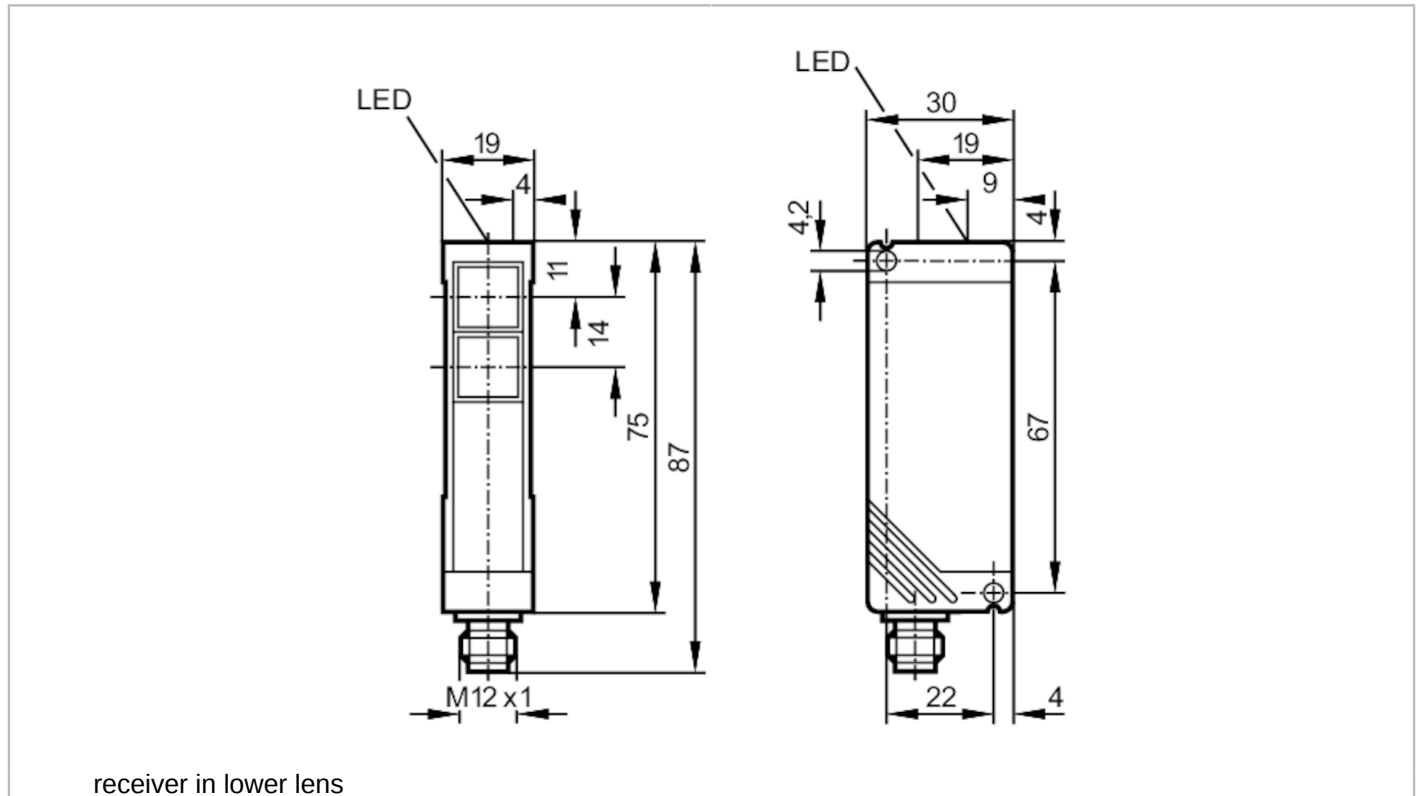


OT5009



Through-beam sensor receiver

OTE-FPKG/US-100-IPF



Product characteristics	
Type of light	infrared light
Housing	rectangular
Application	
Function principle	Through-beam sensor
Electrical data	
Operating voltage [V]	10...50 DC
Current consumption [mA]	30; ((24 V))
Protection class	II
Reverse polarity protection	yes
Type of light	infrared light
Wave length [Nm]	880

OT5009



Through-beam sensor receiver

OTE-FPKG/US-100-IPF

Outputs		
Electrical design		PNP
Output function		light-on/dark-on mode; (programmable)
Max. voltage drop switching output DC	[V]	2.5
Permanent current rating of switching output DC	[mA]	250
Switching frequency DC	[Hz]	150
Short-circuit protection		yes
Type of short-circuit protection		pulsed
Overload protection		yes
Detection zone		
Transmitter / receiver		receiver
Range	[m]	< 10
Range adjustable		yes
Operating conditions		
Ambient temperature	[°C]	-25...60
Protection		IP 65
Tests / approvals		
EMC	EN 60947-5-2	class B
	EN 55011	
MTTF	[years]	573
Mechanical data		
Weight	[g]	161
Housing		rectangular
Materials		PBT
Lens material		PMMA
Lens alignment		side lens
Displays / operating elements		
Display	switching status	1 x LED, yellow
	operation	1 x LED, green
Accessories		
Items supplied		Angle bracket: 1, E20461 screwdrivers
Remarks		
Pack quantity		1 pcs.
Electrical connection		
Connector: 1 x M12		

OT5009

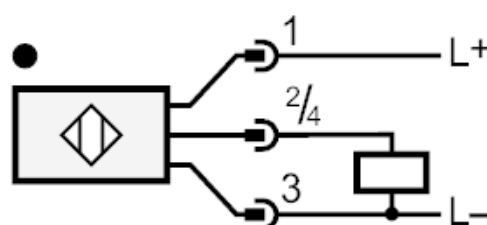
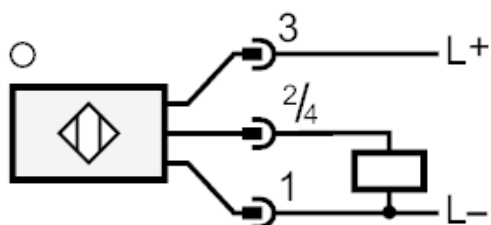


Through-beam sensor receiver

OTE-FPKG/US-100-IPF



Connection





Through-beam sensor receiver

OPE-FPKG/US-100-IPF

Diagrams and graphs

excess gain graph

