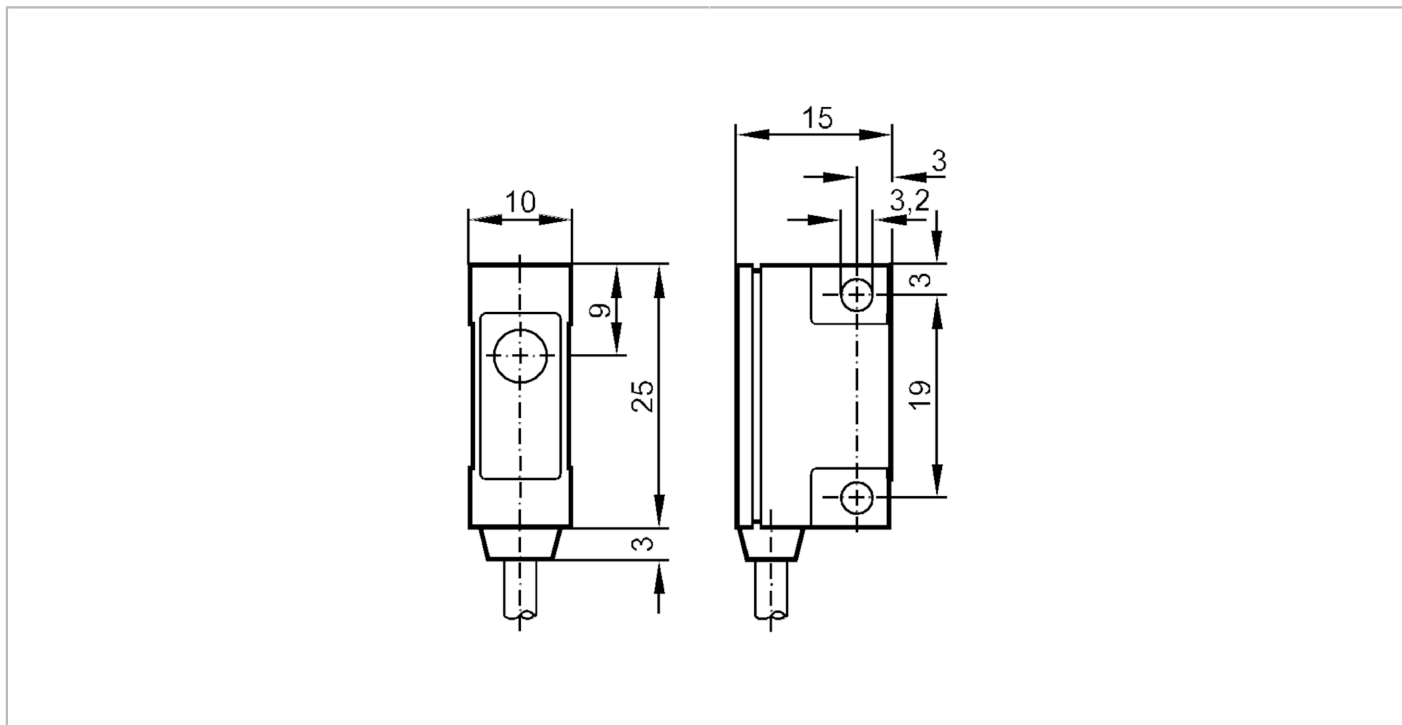


OR0003



Through-beam sensor transmitter

ORS-V



Product characteristics	
Type of light	infrared light
Housing	rectangular
Application	
Function principle	Through-beam sensor
Electrical data	
Connection to switching amplifiers	yes
Switching amplifiers	Connection to switching amplifiers OV5012, OV0010
Type of light	infrared light
Wave length [nm]	950
Outputs	
Short-circuit protection	no
Overload protection	no
Detection zone	
Transmitter / receiver	transmitter
Range [m]	< 2
Operating conditions	
Ambient temperature [°C]	-20...80
Protection	IP 67
Tests / approvals	
EMC	EN 60947-5-2
MTTF [years]	57078

OR0003



Through-beam sensor transmitter

ORS-V

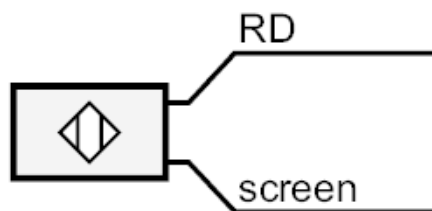
Mechanical data	
Weight	[g] 59.5
Housing	rectangular
Materials	PPO modified
Lens alignment	side lens

Accessories	
Accessories (supplied)	Angle bracket: 1 x, E20212

Remarks	
Pack quantity	1 pcs.

Electrical connection	
Cable: 2 m; 1 x 0.14 mm ²	

Connection



Core colours :
RD = red
screen = screen