

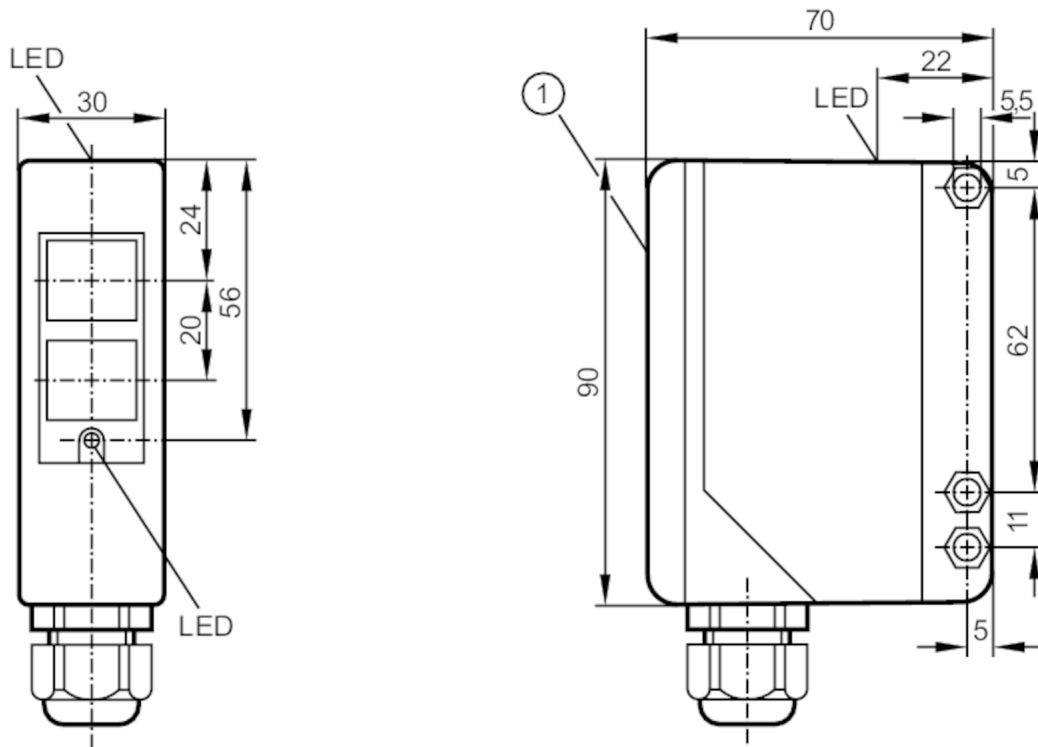
# OA5204



## Through-beam sensor transmitter

OAS-00KG

Article no longer available - archive entry



1 Cover

### Product characteristics

Type of light	infrared light
Housing	rectangular
Dimensions [mm]	90 x 30 x 70

### Application

Function principle	Through-beam sensor
--------------------	---------------------

### Electrical data

Operating voltage [V]	10...36 DC
Current consumption [mA]	< 50
Protection class	II
Reverse polarity protection	yes
Type of light	infrared light
Wave length [nm]	880

### Outputs

Short-circuit protection	yes
Type of short-circuit protection	pulsed
Overload protection	yes

# OA5204



## Through-beam sensor transmitter

OAS-00KG

Detection zone		
Transmitter / receiver		transmitter
Range [m]		< 25
Range adjustable		no
Operating conditions		
Ambient temperature [°C]		-25...60
Protection		IP 65
Tests / approvals		
EMC	EN 60947-5-2	
Mechanical data		
Housing		rectangular
Dimensions [mm]		90 x 30 x 70
Materials		PPO modified
Lens material		PMMA
Displays / operating elements		
Display	operation	1 x LED, green
Accessories		
Items supplied		Angle bracket screwdrivers
Remarks		
Pack quantity		1 pcs.
Electrical connection		
terminals: ...1.5 mm <sup>2</sup>		
Connection		

