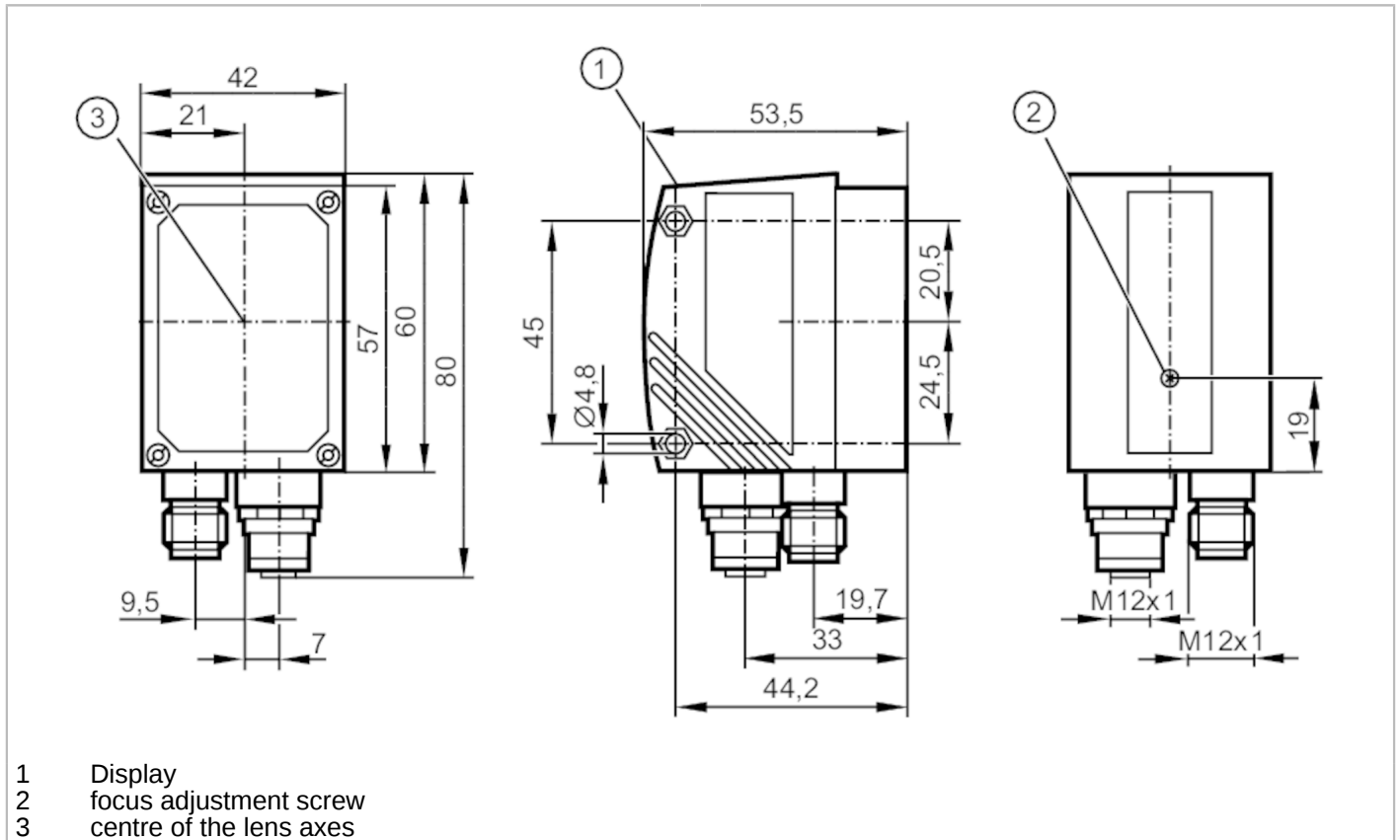


O2I101



1D/2D code readers

O2I10S-G/D/RS232/E1/E2



Product characteristics

Type of light		infrared light
Image resolution	[px]	640 x 480
Max. reading rate	[Hz]	20
Dimensions	[mm]	60 x 42 x 53.5

Electrical data

Operating voltage tolerance	[%]	10
Operating voltage	[V]	24 DC
Current consumption	[mA]	300
Protection class		III
Reverse polarity protection		yes
Type of light		infrared light
Wave length	[nm]	850
Image sensor		CMOS image sensor black/white
Internal lighting		yes
Laser marking		yes

Inputs / outputs

Number of inputs and outputs	Number of digital outputs: 2
------------------------------	------------------------------

Inputs

Trigger	internal; 24 V PNP (IEC 61131-2 Typ 1); RS-232; TCP/IP; EtherNet/IP
---------	---



1D/2D code readers

O2I10S-G/D/RS232/E1/E2

Outputs	
Total number of outputs	2
Number of digital outputs	2; (configurable)
Output function	24 V PNP
Max. voltage drop switching output DC [V]	2
Max. current load per output [mA]	100
Short-circuit protection	yes
Overload protection	yes

Detection zone				
	Operating distance	field of view	Smallest detectable object	Resolution
Field of view size [mm]	50	16 x 12		
	100	32 x 24		
	200	64 x 48		
Operating distance [mm]	> 50			
Image resolution [px]	640 x 480			
Readable codes	ECC200; PDF-417; QR; Interleaved 2-of-5; Industrial 2-of-5; Code 39; Code 93; Code 128; Pharmacode; Codabar; EAN8; EAN8 Add-On 2; EAN8 Add-On 5; EAN13; EAN13 Add-On 2; EAN13 Add-On 5; UPC-A; UPC-A Add-On 2; UPC-A Add-On 5; UPC-E; UPC-E Add-On 2; UPC-E Add-On 5; RSS-14; RSS-14 Truncated; RSS-14 Stacked; RSS-14 Stack Omnidirection; RSS Limited; RSS Expanded; RSS Expanded Stacked			
Omnidirectional reading	yes			
Max. inclination to the image plane [°]	45			
Max. reading rate [Hz]	20			

Software / programming	
Parameter setting options	via two pushbuttons and 10-segment display or via PC / notebook with operating software

Interfaces	
Communication interface	Ethernet; RS232
Number of R232 interfaces	1
Ethernet	
Number of Ethernet interfaces	1
Transmission standard	10Base-T; 100Base-TX
Transmission rate	10; 100
Protocol	TCP/IP; UDP; EtherNet/IP
Factory settings	IP address: 192.168.0.79
	subnet mask: 255.255.255.0
	gateway IP address: 192.168.0.201
	MAC address: see type label


Operating conditions	
Ambient temperature [°C]	-10...50
Storage temperature [°C]	-40...85
Protection	IP 67

O2I101



1D/2D code readers

O2I10S-G/D/RS232/E1/E2

Tests / approvals		
EMC	radiation of interference	EN 61326
	noise immunity	EN 61326
Shock resistance	IEC 60028-2-27	
Vibration resistance	IEC 60028-2-6	
MTTF	[years]	93
Mechanical data		
Weight	[g]	403.5
Dimensions	[mm]	60 x 42 x 53.5
Materials	housing: diecast zinc powder-coated; front lens: glass; LED window: PC	
Displays / operating elements		
Display	function	3 x LED, green
	switching status	4 LED, yellow
		10-segment display, 4-digit
Accessories		
Accessories (optional)	Operating software	
	Mounting accessories	
Remarks		
Remarks	operating voltage "supply class 2" according to cULus	
Notes	For 8-pole sockets the core colours are not standardised.; Please note the wiring of the sensor and the sockets (see data sheet).	
Pack quantity	1 pcs.	
Electrical connection - Ethernet		
1	TxD+	
2	RxD+	
3	TxD-	
4	RxD-	
Connector: 1 x M12		
		



1D/2D code readers

O2I10S-G/D/RS232/E1/E2

Electrical connection - RS-232

1	U+
2	trigger input
3	0 V
4	switching output 1 code evaluation / trigger output with external illumination
5	RxD RS-232
6	TxD RS-232
7	switching output 2 Ready
8	GND RS-232 electrically isolated < 50 V

Connector: 1 x M12

