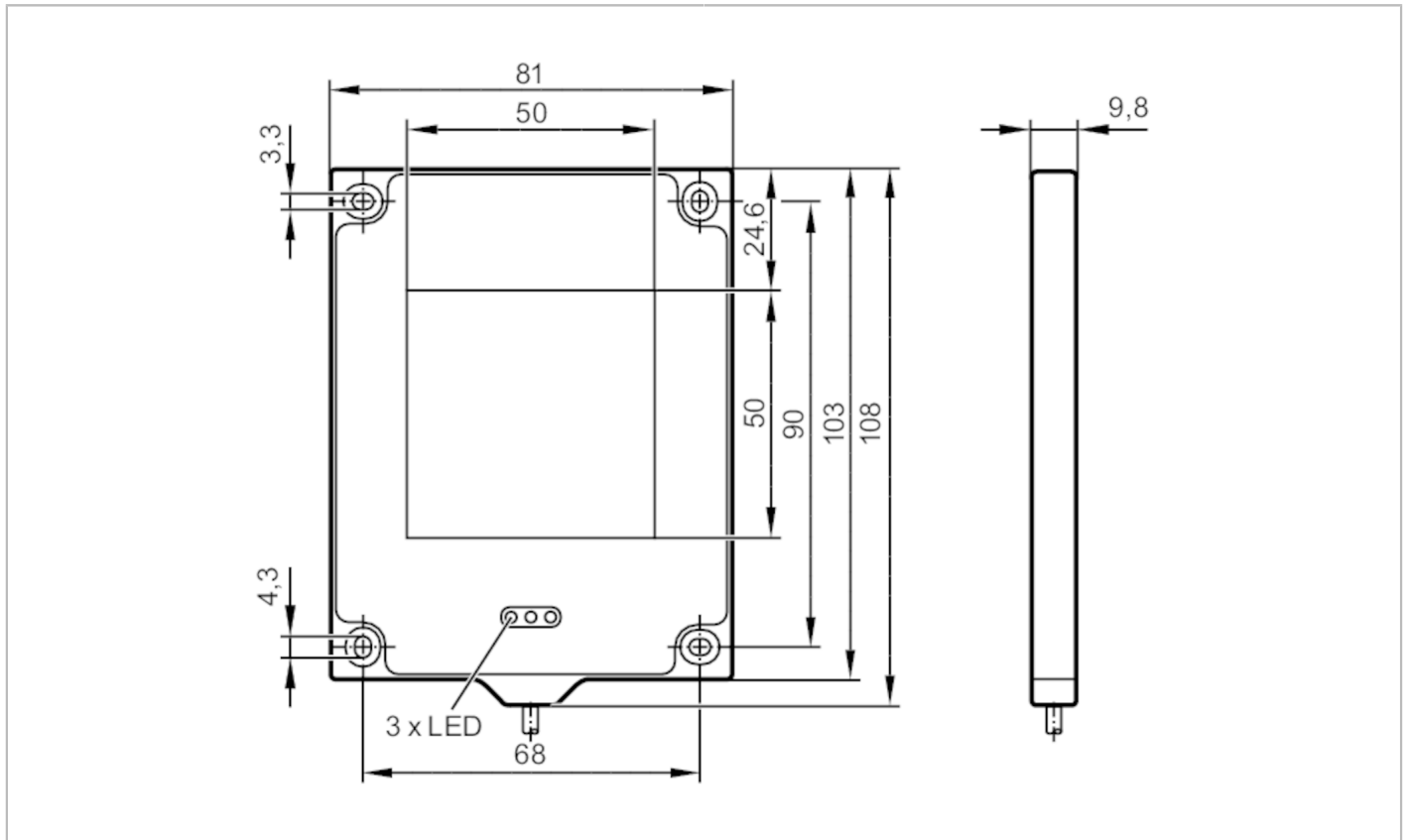


O2D902



External illumination

BACKLIGHT 50X50 RED



Product characteristics

Type of light	red light
Dimensions [mm]	103 x 81 x 9.2

Application

Illuminated field [mm]	50 x 50
Design	backlight
Type of operation	high light intensity (max. pulse length: 50 ms; max. mark-to-space ratio: 1/10); normal light intensity (permanent operation possible)

Electrical data

Operating voltage tolerance [%]	-10...10
Operating voltage [V]	24 DC
Current consumption [mA]	operating mode "permanent operation": 200; operating mode "high light intensity": 100
Protection class	III
Reverse polarity protection	yes
Type of light	red light
Wave length [nm]	660

Inputs

Trigger	24 V PNP (IEC 61131-1)
---------	------------------------

Outputs

Overload protection	yes
---------------------	-----

O2D902



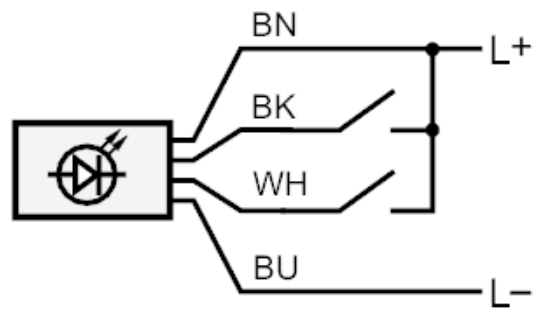
External illumination

BACKLIGHT 50X50 RED

Operating conditions		
Ambient temperature [°C]	0...50	
Protection	IP 65	
Overheat protection	yes	
Tests / approvals		
MTTF [years]	349	
Mechanical data		
Weight [g]	187	
Dimensions [mm]	103 x 81 x 9.2	
Materials	aluminium	
Lens material	PMMA	
Displays / operating elements		
Display	illumination status	1 x LED, yellow
	operation	1 x LED, green
	excess temperature / overload	1 x LED, red
Remarks		
Pack quantity	1 pcs.	

Electrical connection	
Cable: 2 m, PUR; 4 x 0.14 mm ²	

Connection



- black trigger
- white operating mode "high light intensity"
- Core colours :
- BK = black
- BN = brown
- BU = blue
- WH = white